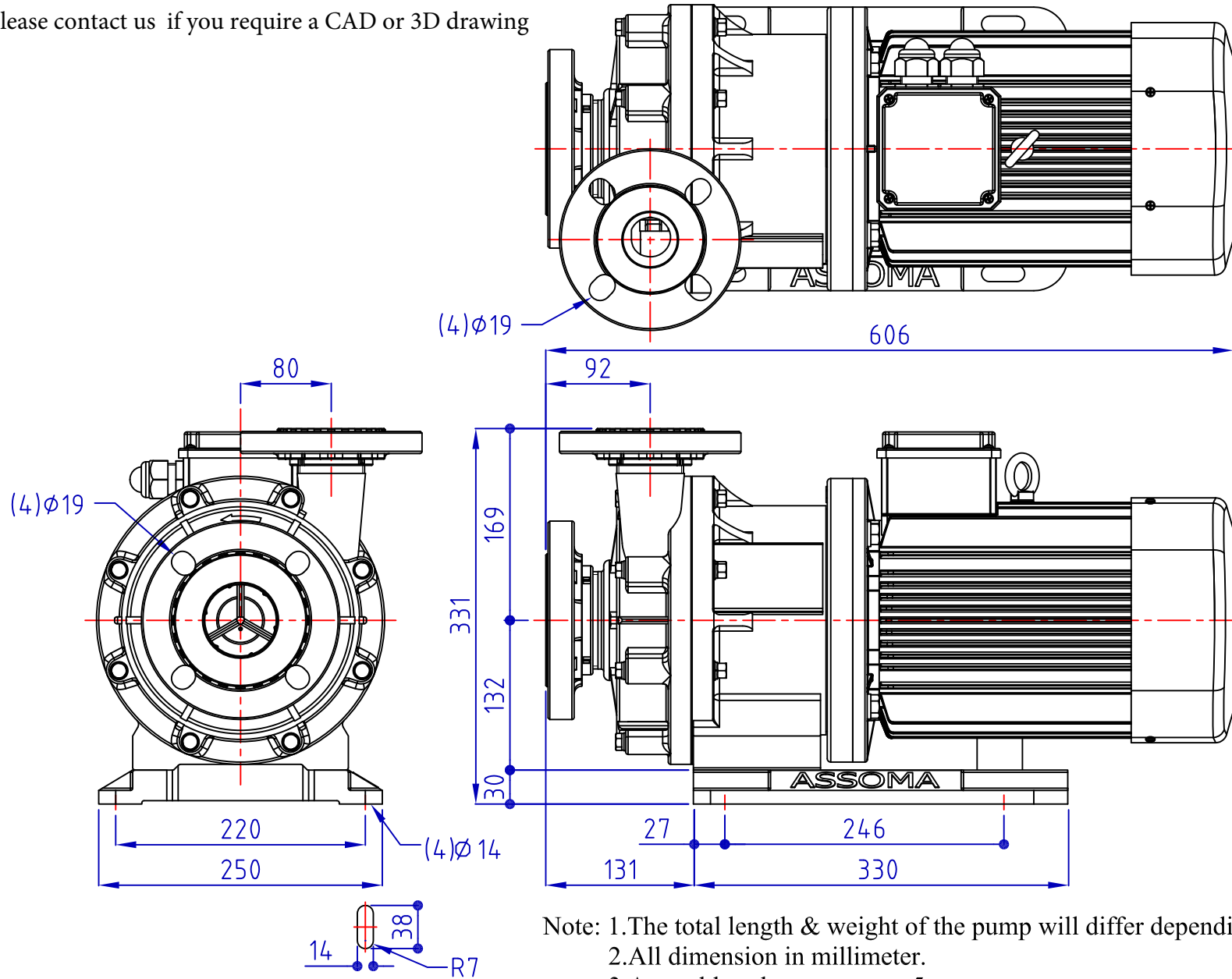


Please contact us if you require a CAD or 3D drawing



| MOTOR | |
|----------------|-------------|
| Standard Code: | IEC |
| Frame: | 112 Pole: 2 |
| Output: | 4.0 kw |
| Frequency: | 50/60 Hz |

| FLANGE RATING | |
|---------------|--|
| Inlet | ANSI 150lbx2.5"xRF (bore size 2.5") |
| | DIN NP10x65mmxRF (bore size 65mm) |
| | JIS 10Kx65mmxRF (bore size 65mm) |
| Outlet | ANSI 150lbx2"xRF (bore size 2") |
| | DIN NP10x50mmxRF (bore size 50mm) |
| | JIS 10Kx50mmxRF (bore size 50mm) |

| Model | Item | Pump (kg) | Motor (kg) | Net Wt. (kg) |
|-----------|------|-----------|------------|--------------|
| AMX-655FG | | 13.8 | 30 | 43.8 |
| AMX-655FE | | 15.8 | 30 | 45.8 |

Note: 1.The total length & weight of the pump will differ depending on the brand of the motor.
 2.All dimension in millimeter.
 3.Assembly tolerances are ± 5 mm.