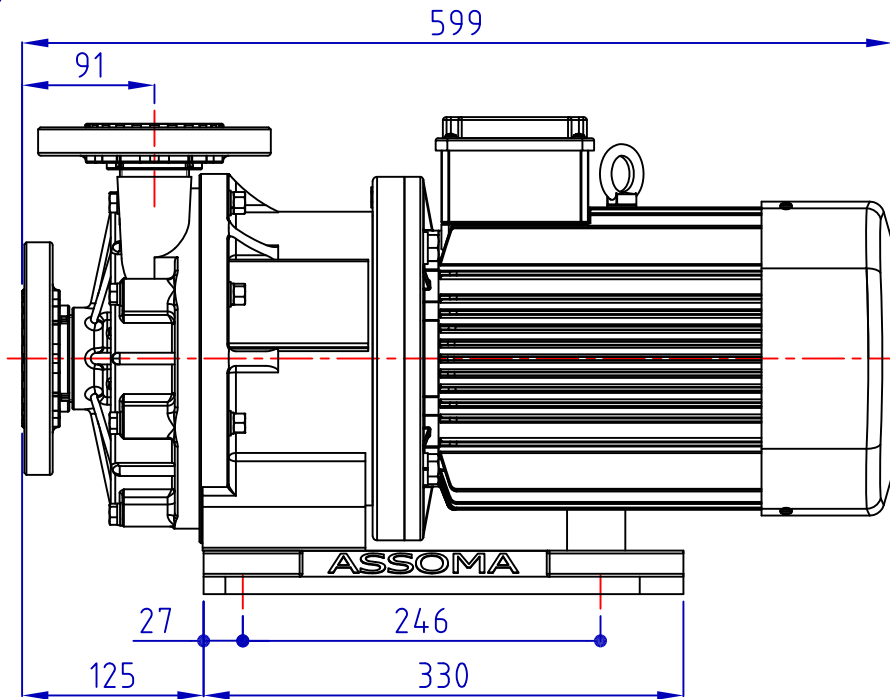
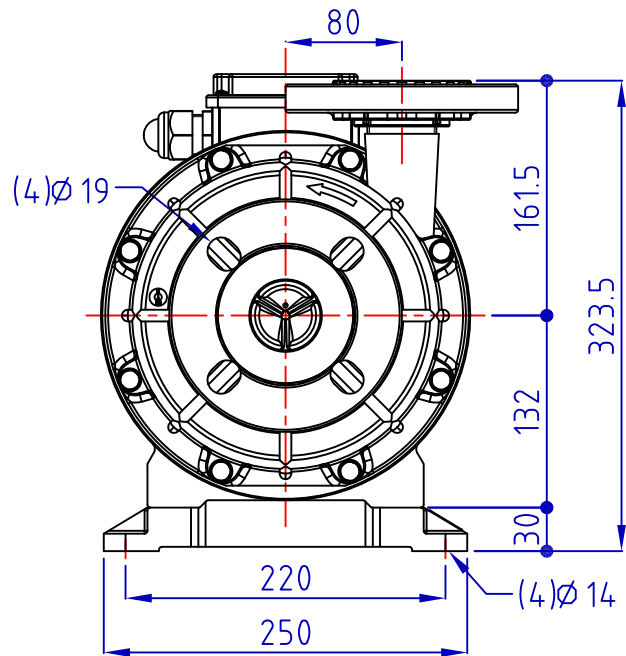
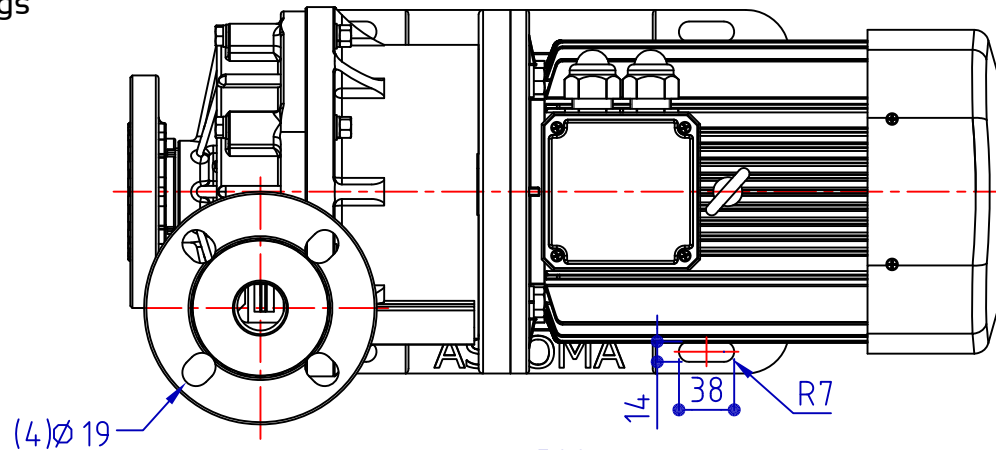


Please contact us for CAD / 3D drawings



MOTOR	
Standard Code:	IEC
Frame:	112 Pole: 2
Output:	3.7 kW
Frequency:	50/60 Hz

FLANGE RATING	
Inlet	ANSI 150lbx2"xRF ( bore size 2" )
	DIN NP10x50mmxRF ( bore size 50mm )
	JIS 10Kx50mmxRF ( bore size 50mm )
Outlet	ANSI 150lbx2"xRF ( bore size 1.5" )
	DIN NP10x50mmxRF ( bore size 40mm )
	JIS 10Kx50mmxRF ( bore size 40mm )

Model \ Item	Pump (kg)	Motor (kg)	Net Wt. (kg)
AMX-555FG	12.3	30	42.3
AMX-555FE	14.3	30	44.3

- Note: 1.The total length & weight of the pump will differ depending on the brand of the motor.  
 2.All dimension in millimeter.  
 3.Assembly tolerances are ± 3mm.

[www.crestpumps.co.uk](http://www.crestpumps.co.uk) T: 01425 627700



MODEL	AMX-555-C-GG
TITLE	OUTLINE DRAWING