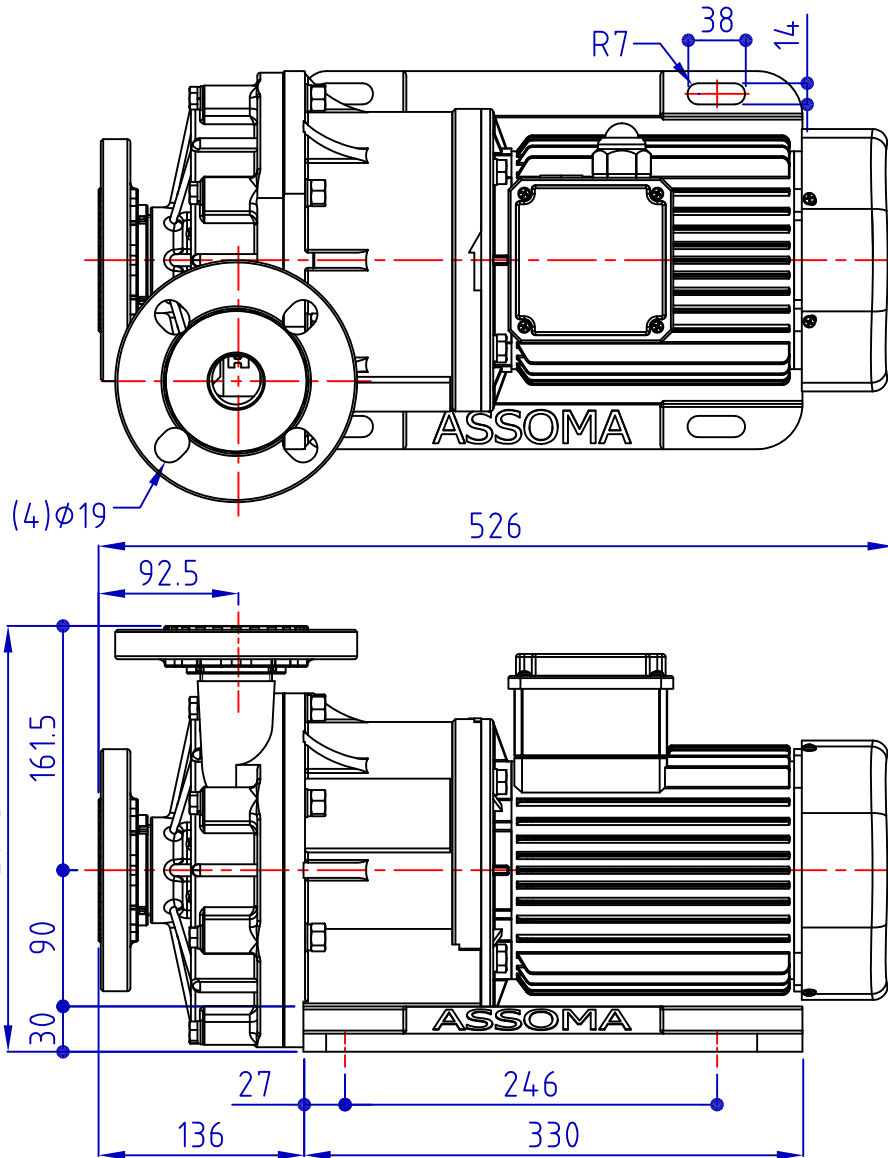


www.crestpumps.co.uk
T: 01425 627700



MOTOR	
Standard Code:	IEC
Frame:	90L Pole: 2
Output:	2.2 kW
Frequency:	50/60 Hz

FLANGE RATING	
Inlet	ANSI 150lbx2"xRF (bore size 2")
	DIN NP10x50mmxRF (bore size 50mm)
	JIS 10Kx50mmxRF (bore size 50mm)
Outlet	ANSI 150lbx2"xRF (bore size 1.5")
	DIN NP10x50mmxRF (bore size 40mm)
	JIS 10Kx50mmxRF (bore size 40mm)

Model	Item	Pump (kg)	Motor (kg)	Net Wt. (kg)
AMX-553FG		10.3	17	27.3
AMX-553FE		12.3	17	29.3

Note: 1.The total length & weight of the pump will differ depending on the brand of the motor.
2.All dimension in millimeter.
3.Assembly tolerances are ± 3mm.