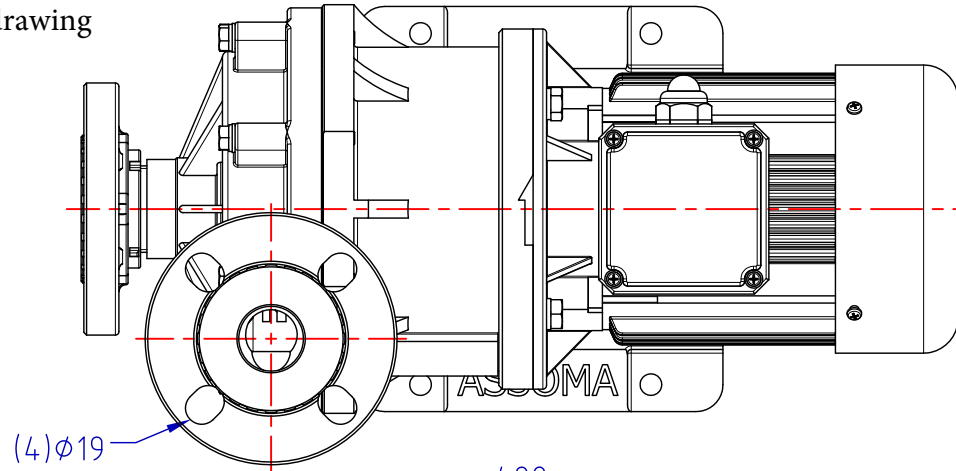
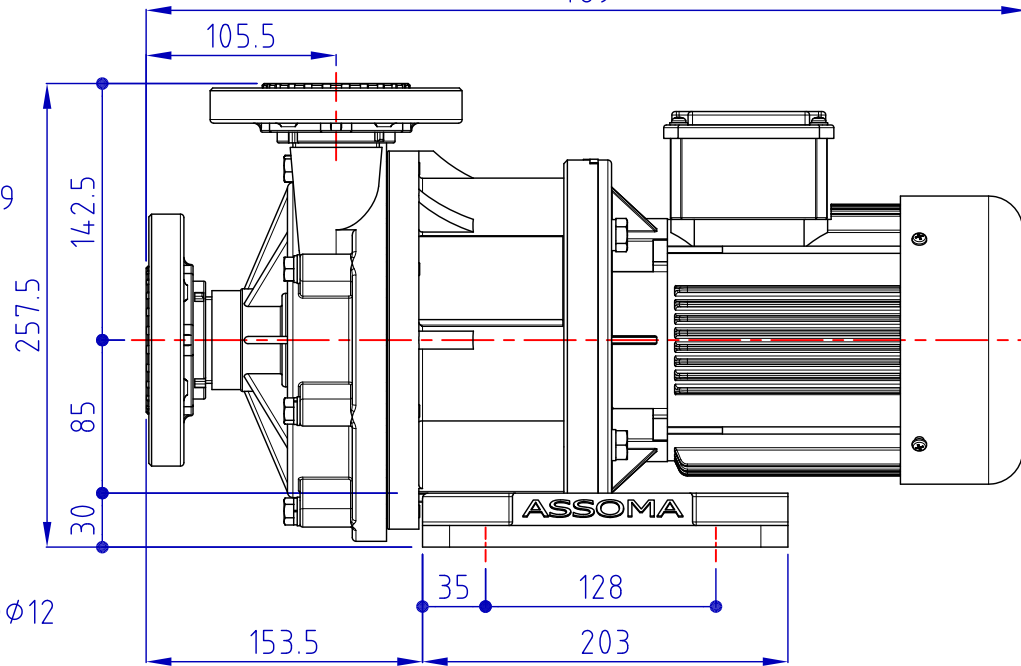
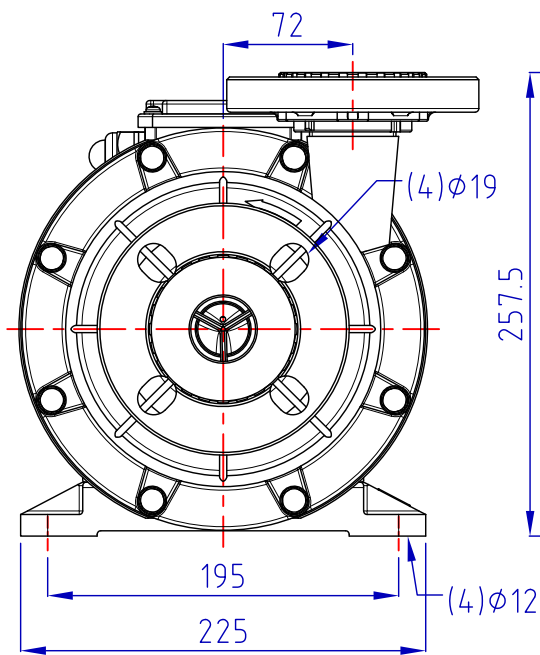


Please contact us if you require a CAD or 3D drawing



MOTOR	
Standard Code:	IEC
Frame:	80 Pole: 2
Output:	0.75 kW
Frequency:	50/60 Hz

FLANGE RATING	
Inlet & Outlet	ANSI 150lbx1.5"xRF (bore size 1.5")
	DIN NP10x40mmxRF (bore size 40mm)
	JIS 10Kx40mmxRF (bore size 40mm)



Model	Item	Pump (kg)	Motor (kg)	Net Wt. (kg)
AMX-441FG		7.8	9.5	17.3
AMX-441FE		9.8	9.5	19.3

Note: 1.The total length & weight of the pump will differ depending on the brand of the motor.
 2.All dimension in millimeter.
 3.Assembly tolerances are ± 3mm.

www.crestpumps.co.uk T: 01425 627700



MODEL AMX-441-C-GG

TITLE OUTLINE DRAWING