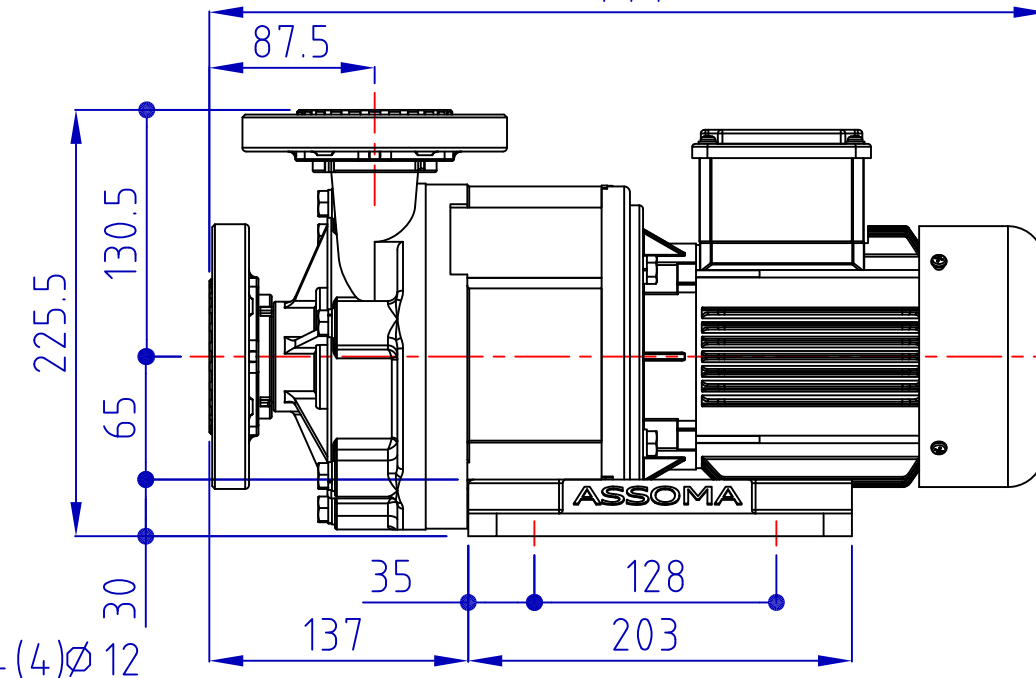
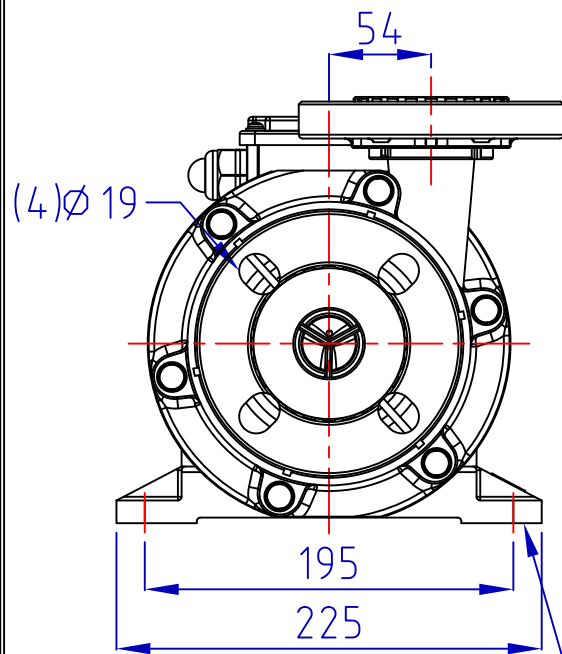


MOTOR	
Standard Code:	IEC
Frame:	71 Pole: 2
Output:	0.37 kW
Frequency:	50/60 Hz

FLANGE RATING	
Inlet & Outlet	ANSI 150lbx1.5"xRF (bore size 1.5")
	DIN NP10x40mmxRF (bore size 36mm)
	JIS 10Kx40mmxRF (bore size 36mm)



Model	Item	Pump (kg)	Motor (kg)	Net Wt. (kg)
AMX-440FG		4.6	6.5	11.1
AMX-440FE		5.6	6.5	11.2

Note: 1.The total length & weight of the pump will differ depending on the brand of the motor.
 2.All dimension in millimeter.
 3.Assembly tolerances are ± 3mm.

MODEL	AMX-440-C-GG
TITLE	OUTLINE DRAWING

2014.01