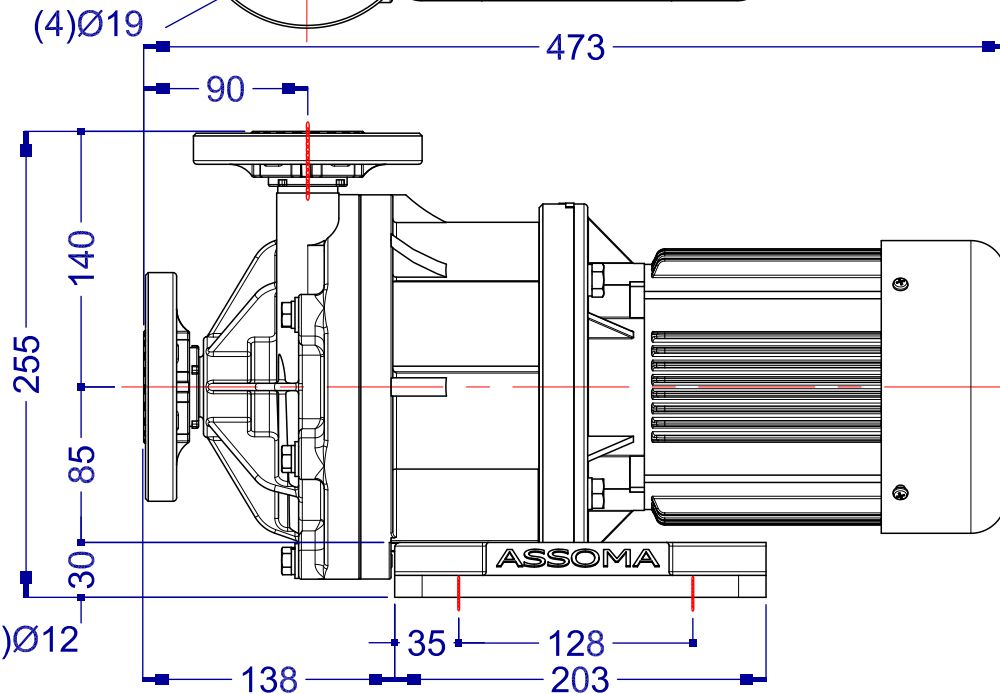
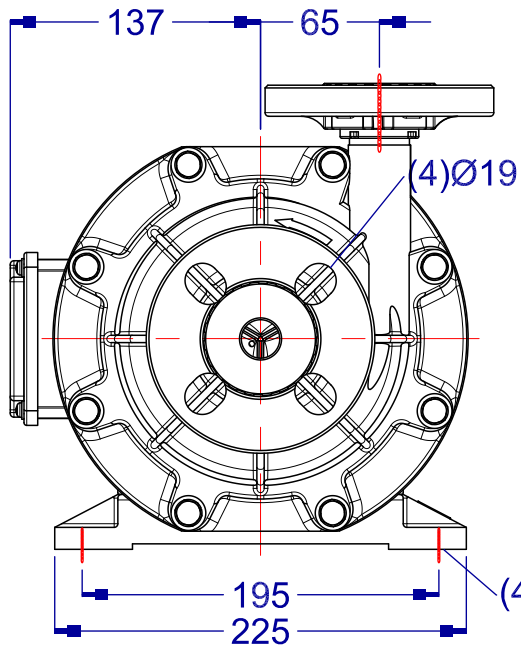


MOTOR			
Standard Code:	IEC		
Frame:	80	Pole:	2
Output:	0.75	kW	
Frequency:	50/60 Hz		

FLANGE RATING	
Inlet & Outlet	ANSI 150lbx1"xRF (bore size 7/8")
	DIN NP10x25mmxRF (bore size 21mm)
	JIS 10Kx25mmxRF (bore size 21mm)



Model	Item	Pump (kg)	Motor (kg)	Net Wt. (kg)
AMX-221FG		8.4	9.5	17.9
AMX-221FE		10.4	9.5	19.9