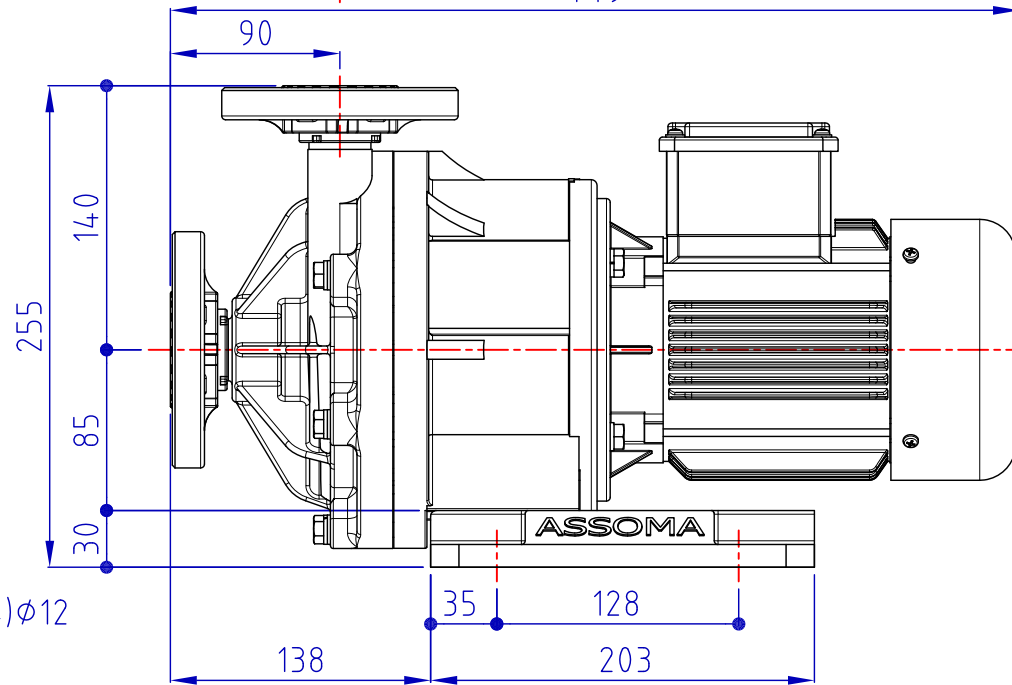
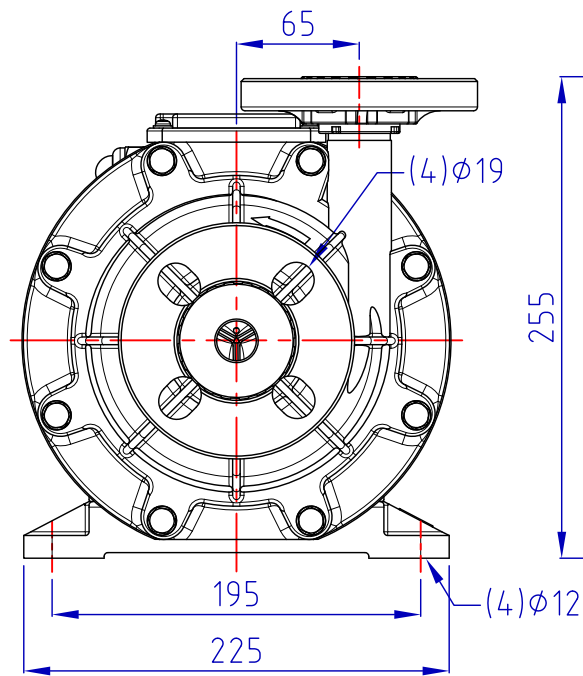
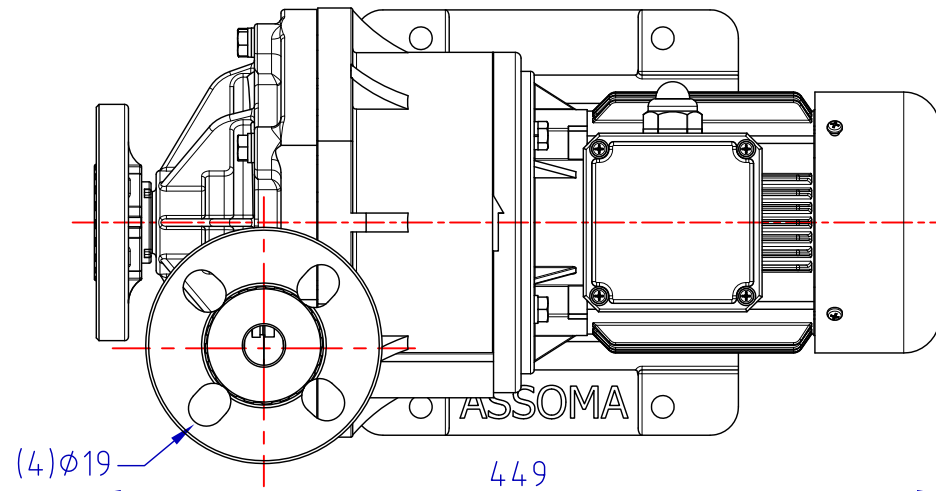


www.crestpumps.co.uk
T: 01425 627700



MOTOR	
Standard Code:	IEC
Frame:	71 Pole: 2
Output:	0.37 kW
Frequency:	50/60 Hz

FLANGE RATING	
Inlet & Outlet	ANSI 150lbx1"xRF (bore size 7/8")
	DIN NP10x25mmxRF (bore size 21mm)
	JIS 10Kx25mmxRF (bore size 21mm)

Model	Item	Pump (kg)	Motor (kg)	Net Wt. (kg)
AMX-220FG		8.4	6.5	14.9
AMX-220FE		10.4	6.5	16.9

Note: 1. The total length & weight of the pump will differ depending on the brand of the motor.
2. All dimension in millimeter.
3. Assembly tolerances are ± 3 mm.