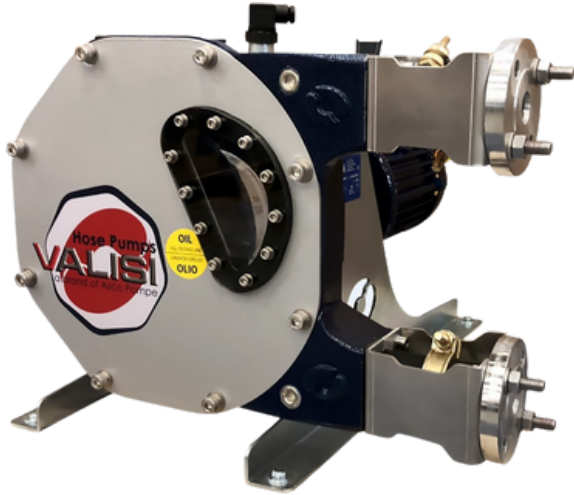


# VPH SERIES PUMP RANGE



PERISTALTIC, **VOLUMETRIC**, HOSE PUMPS



- ∞ MAX. DISCHARGE PRESSURE : < 15 bar
- ∞ MAX. LIQUID TEMP : 80°C
- ∞ ACHIEVABLE SUCTION : <0.9 Bar
- ∞ CORROSION RESISTANT
- ∞ CE & ATEX CERTIFIED
- ∞ FDA HOSES AVAILABLE

Part of the  
**PERISTALTIC**  
Pump Range



## PERISTALTIC HOSE PUMPS

The VALISI VPH peristaltic pump series is perfect for high-pressure, low-volume transfer tasks, including sampling, emptying, food processing, and water treatment applications.

This pump features a reversible and seal-less design, ensuring easy operation. It can be equipped with a leak sensor to promptly detect hose failures. An integrated IP66 inverter is available for adjusting flow rates locally or via remote control, with a hydraulic variator offered upon request.

The VPH series is CE and ATEX certified, and FDA-compliant hoses are available if needed.

## CORROSION-RESISTANT

The pumps are fully protected against highly corrosive acids and challenging chemicals. The chemical version is well-suited for applications such as dosing and transferring ferric chloride, sodium hypochlorite, hydrochloric acid, and sulphuric acid.

Key components, including the pump casing, front cover, rotor, shoes, brackets, frames, and hub, are coated with Halar® or ECTFE for enhanced durability. Connections are available in Polypropylene, PTFE, or Stainless Steel.

## LEAK DETECTORS

A NAMUR capacitive sensor can be installed to detect hose failures. This sensor is compliant to EN60947-5-6, it features a PEEK case with a PVC lid, and uses a two-wire technology with a two-meter PVC cable. Its IP67 enclosure, is suitable for both safe and hazardous areas in gas zone 0 and dust zone 20.

# VPH SERIES PUMP RANGE



PERISTALTIC, VOLUMETRIC, HOSE PUMPS

## TECHNICAL SPECIFICATION

PUMP MODEL	HOSE DIA. (INTERNAL)	CONNECTIONS	MOTOR POWER	GEAR RATIO	FLOW RATES - 4 POLES	
					50 Hz	60 Hz
VPH05	5 mm	Flanged DN 15/ ANSI ½"	0,25 kW (0,33HP)	1:135	3,4 L/h @10 RPM	4,1 L/h @ 12 RPM
				1:45	10,2 L/h @31 RPM	12,2 L/h @ 37 RPM
VPH10	10 mm	Flanged DN 15/ ANSI ½"	0,55 kW (0,75HP)	1:135	10 L/h @10 RPM	12 L/h @12 RPM
				1:69	20 L/h @20 RPM	24 L/h @24 RPM
				1:48	29 L/h @29 RPM	35 L/h @35 RPM
VPH15	15 mm	Flanged DN 20/ ANSI ¾"	0,55 kW (0,75HP)	1:35	40 L/h @40 RPM	48 L/h @48 RPM
				1:135	36 L/h @10 RPM	44 L/h @12 RPM
				1:69	71 L/h @20 RPM	85 L/h @24 RPM
VPH20	20 mm	Flanged DN 25/ ANSI 1"	0,55 kW (0,75HP)	1:48	101 L/h @29 RPM	122 L/h @35 RPM
				1:35	140 L/h @40 RPM	168 L/h @48 RPM
				1:135	57 L/h @10 RPM	68 L/h @12 RPM
VPH25	25 mm	Flanged DN 25/ ANSI 1"	2,2 kW (3 HP)	1:69	110 L/h @20 RPM	132 L/h @24 RPM
				1:48	158 L/h @29 RPM	190 L/h @35 RPM
				1:35	218 L/h @40 RPM	262 L/h @48 RPM
VPH32	32 mm	Flanged DN 32/ ANSI 1" ½	2,2 kW (3 HP)	1:70	220 L/h @20 RPM	270 L/h @24 RPM
				1:46	340 L/h @30 RPM	410 L/h @36 RPM
				1:32	480 L/h @43 RPM	580 L/h @52 RPM
VPH40	38 mm	Flanged DN 40/ ANSI 1" ½	2,2 kW (3 HP)	1:28	560 L/h @50 RPM	670 L/h @60 RPM
				1:121	0,46m <sup>3</sup> /h @12 RPM	0,55 m <sup>3</sup> /h @14 RPM
				1:66	0,81 m <sup>3</sup> /h @21 RPM	0,97 m <sup>3</sup> /h @26 RPM
VPH40L	40 mm	Flanged DN 40/ ANSI 1" ½	4 kW (5 HP)	1:46	1,16 m <sup>3</sup> /h @31 RPM	1,40 m <sup>3</sup> /h @37 RPM
				1:33	1,59 m <sup>3</sup> /h @42 RPM	1,91 m <sup>3</sup> /h @50 RPM
				1:121	0,70 m <sup>3</sup> /h @12 RPM	0,84 m <sup>3</sup> /h @14 RPM
VPH50	51 mm	Flanged DN 50/ ANSI 2"	7,5 kW (10 HP)	1:66	1,25 m <sup>3</sup> /h @21 RPM	1,49 m <sup>3</sup> /h @26 RPM
				1:46	1,79 m <sup>3</sup> /h @31 RPM	2,15 m <sup>3</sup> /h @37 RPM
				1:33	2,45 m <sup>3</sup> /h @42 RPM	2,94 m <sup>3</sup> /h @50 RPM
VPH65	60 mm	Flanged DN 60/ ANSI 2" ½	7,5 kW (10 HP)	1:77	1,52 m <sup>3</sup> /h @19 RPM	1,85 m <sup>3</sup> /h @23 RPM
				1:46	2,56 m <sup>3</sup> /h @32 RPM	3,12 m <sup>3</sup> /h @39 RPM
				1:34	3,36 m <sup>3</sup> /h @42 RPM	4,10 m <sup>3</sup> /h @51 RPM
VPH80S	80 mm	Flanged DN 80/ ANSI 3"	15 kW (20 HP)	1:29	4,00 m <sup>3</sup> /h @50 RPM	4,88 m <sup>3</sup> /h @61 RPM
				1:141	1,8 m <sup>3</sup> /h @10 RPM	2,2 m <sup>3</sup> /h @12 RPM
				1:72	3,4 m <sup>3</sup> /h @20 RPM	4,1 m <sup>3</sup> /h @23 RPM
VPH80S	80 mm	Flanged DN 80/ ANSI 3"	15 kW (20 HP)	1:45	5,3 m <sup>3</sup> /h @30 RPM	6,5 m <sup>3</sup> /h @36 RPM
				1:36	7,0 m <sup>3</sup> /h @40 RPM	8,5 m <sup>3</sup> /h @48 RPM
				1:141	2,3 m <sup>3</sup> /h @10 RPM	2,8 m <sup>3</sup> /h @12 RPM
VPH80S	80 mm	Flanged DN 80/ ANSI 3"	15 kW (20 HP)	1:72	4,6 m <sup>3</sup> /h @20 RPM	5,6 m <sup>3</sup> /h @23 RPM
				1:45	6,9 m <sup>3</sup> /h @30 RPM	8,4 m <sup>3</sup> /h @36 RPM
				1:36	9,2 m <sup>3</sup> /h @40 RPM	11,2 m <sup>3</sup> /h @48 RPM
VPH80S	80 mm	Flanged DN 80/ ANSI 3"	15 kW (20 HP)	1:152	5,5 m <sup>3</sup> /h @10 RPM	6,7 m <sup>3</sup> /h @12 RPM
				1:72	11,0 m <sup>3</sup> /h @20 RPM	13,4 m <sup>3</sup> /h @24 RPM
				1:60	16,5 m <sup>3</sup> /h @30 RPM	20,1 m <sup>3</sup> /h @37 RPM



# VPH SERIES PUMP RANGE



PERISTALTIC, VOLUMETRIC, HOSE PUMPS

## TECHNICAL SPECIFICATION

PUMP MODEL	HOSE DIA. (INTERNAL)	CONNECTIONS	MOTOR POWER	GEAR RATIO	FLOW RATES - 4 POLES	
					50 Hz	60 Hz
VPH80	80 mm	Flanged DN 80/ ANSI 3"	18,5 kW (25 HP)	1:152	7 m <sup>3</sup> /h @10 RPM	8,5 m <sup>3</sup> /h @12 RPM
				1:72	14 m <sup>3</sup> /h @20 RPM	17 m <sup>3</sup> /h @24 RPM
				1:60	21 m <sup>3</sup> /h @30 RPM	26 m <sup>3</sup> /h @37 RPM
VPH100	100 mm	Flanged DN 100/ ANSI 4"	18,5 kW (25 HP)	1:152	12 m <sup>3</sup> /h @10 RPM	15 m <sup>3</sup> /h @12 RPM
				1:72	24 m <sup>3</sup> /h @20 RPM	29 m <sup>3</sup> /h @24 RPM
				1:60	36 m <sup>3</sup> /h @30 RPM	44 m <sup>3</sup> /h @37 RPM
VPH125	125 mm	Flanged DN 125/ ANSI 5"	37 kW (50 HP)	1:292	11 m <sup>3</sup> /h @5 RPM	13 m <sup>3</sup> /h @6 RPM
				1:146	22 m <sup>3</sup> /h @10 RPM	27 m <sup>3</sup> /h @12 RPM
				1:72	44 m <sup>3</sup> /h @20 RPM	54 m <sup>3</sup> /h @24 RPM
VPH05 trilobes	5 mm	Flanged DN 15/ ANSI ½"	0,25 kW (0,33HP)	1:135	3,4 L/h @10 RPM	4,1 L/h @ 12 RPM
				1:45	10,2 L/h @31 RPM	12,2 L/h @ 37 RPM
VPH10 trilobes	10 mm	Flanged DN 15/ ANSI ½"	0,55 kW (0,75HP)	1:135	10 L/h @10 RPM	12 L/h @12 RPM
				1:69	20 L/h @20 RPM	24 L/h @24 RPM
				1:48	29 L/h @29 RPM	35 L/h @35 RPM
VPH15 trilobes	15 mm	Flanged DN 20/ ANSI ¾"	0,55 kW (0,75HP)	1:35	40 L/h @40 RPM	48 L/h @48 RPM
				1:135	36 L/h @10 RPM	44 L/h @12 RPM
				1:69	71 L/h @20 RPM	85 L/h @24 RPM
VPH20 trilobes	20 mm	Flanged DN 25/ ANSI 1"	0,55 kW (0,75HP)	1:48	101 L/h @29 RPM	122 L/h @35 RPM
				1:35	140 L/h @40 RPM	168 L/h @48 RPM
				1:135	57 L/h @10 RPM	68 L/h @12 RPM
VPH25 trilobes	25 mm	Flanged DN 25/ ANSI 1"	2,2 kW (3 HP)	1:69	110 L/h @20 RPM	132 L/h @24 RPM
				1:48	158 L/h @29 RPM	190 L/h @35 RPM
				1:35	218 L/h @40 RPM	262 L/h @48 RPM
VPH32	32 mm	Flanged DN 32/ ANSI 1" ½	2,2 kW (3 HP)	1:70	220 L/h @20 RPM	270 L/h @24 RPM
				1:46	340 L/h @30 RPM	410 L/h @36 RPM
				1:32	480 L/h @43 RPM	580 L/h @52 RPM
VPH40	38 mm	Flanged DN 40/ ANSI 1" ½	2,2 kW (3 HP)	1:28	560 L/h @50 RPM	670 L/h @60 RPM
				1:121	0,46m <sup>3</sup> /h @12 RPM	0,55 m <sup>3</sup> /h @14 RPM
				1:66	0,81 m <sup>3</sup> /h @21 RPM	0,97 m <sup>3</sup> /h @26 RPM
VPH40L	40 mm	Flanged DN 40/ ANSI 1" ½	4 kW (5 HP)	1:46	1,16 m <sup>3</sup> /h @31 RPM	1,40 m <sup>3</sup> /h @37 RPM
				1:33	1,59 m <sup>3</sup> /h @42 RPM	1,91 m <sup>3</sup> /h @50 RPM
				1:121	0,70 m <sup>3</sup> /h @12 RPM	0,84 m <sup>3</sup> /h @14 RPM
VPH40L	40 mm	Flanged DN 40/ ANSI 1" ½	4 kW (5 HP)	1:66	1,25 m <sup>3</sup> /h @21 RPM	1,49 m <sup>3</sup> /h @26 RPM
				1:46	1,79 m <sup>3</sup> /h @31 RPM	2,15 m <sup>3</sup> /h @37 RPM
				1:33	2,45 m <sup>3</sup> /h @42 RPM	2,94 m <sup>3</sup> /h @50 RPM
VPH40L	40 mm	Flanged DN 40/ ANSI 1" ½	4 kW (5 HP)	1:77	1,52 m <sup>3</sup> /h @19 RPM	1,85 m <sup>3</sup> /h @23 RPM
				1:46	2,56 m <sup>3</sup> /h @32 RPM	3,12 m <sup>3</sup> /h @39 RPM
				1:34	3,36 m <sup>3</sup> /h @42 RPM	4,10 m <sup>3</sup> /h @51 RPM
VPH40L	40 mm	Flanged DN 40/ ANSI 1" ½	4 kW (5 HP)	1:29	4,00 m <sup>3</sup> /h @50 RPM	4,88 m <sup>3</sup> /h @61 RPM

# VPH SERIES PUMP RANGE



PERISTALTIC, VOLUMETRIC, HOSE PUMPS

## TECHNICAL SPECIFICATION

PUMP MODEL	HOSE DIA. (INTERNAL)	CONNECTIONS	MOTOR POWER	GEAR RATIO	FLOW RATES - 4 POLES	
					50 Hz	60 Hz
VPH50	51 mm	Flanged DN 50/ ANSI 2"	7,5 kW (10 HP)	1:141	1,8 m <sup>3</sup> /h @10 RPM	2,2 m <sup>3</sup> /h @12 RPM
				1:72	3,4 m <sup>3</sup> /h @20 RPM	4,1 m <sup>3</sup> /h @23 RPM
				1:45	5,3 m <sup>3</sup> /h @30 RPM	6,5 m <sup>3</sup> /h @36 RPM
				1:36	7,0 m <sup>3</sup> /h @40 RPM	8,5 m <sup>3</sup> /h @48 RPM
VPH65	60 mm	Flanged DN 60/ ANSI 2" ½	7,5 kW (10 HP)	1:141	2,3 m <sup>3</sup> /h @10 RPM	2,8 m <sup>3</sup> /h @12 RPM
				1:72	4,6 m <sup>3</sup> /h @20 RPM	5,6 m <sup>3</sup> /h @23 RPM
				1:45	6,9 m <sup>3</sup> /h @30 RPM	8,4 m <sup>3</sup> /h @36 RPM
				1:36	9,2 m <sup>3</sup> /h @40 RPM	11,2 m <sup>3</sup> /h @48 RPM
VPH80S	80 mm	Flanged DN 80/ ANSI 3"	15 kW (20 HP)	1:152	5,5 m <sup>3</sup> /h @10 RPM	6,7 m <sup>3</sup> /h @12 RPM
				1:72	11,0 m <sup>3</sup> /h @20 RPM	13,4 m <sup>3</sup> /h @24 RPM
				1:60	16,5 m <sup>3</sup> /h @30 RPM	20,1 m <sup>3</sup> /h @37 RPM
VPH80	80 mm	Flanged DN 80/ ANSI 3"	18,5 kW (25 HP)	1:152	7 m <sup>3</sup> /h @10 RPM	8,5 m <sup>3</sup> /h @12 RPM
				1:72	14 m <sup>3</sup> /h @20 RPM	17 m <sup>3</sup> /h @24 RPM
				1:60	21 m <sup>3</sup> /h @30 RPM	26 m <sup>3</sup> /h @37 RPM
VPH100	100 mm	Flanged DN 100/ ANSI 4"	18,5 kW (25 HP)	1:152	12 m <sup>3</sup> /h @10 RPM	15 m <sup>3</sup> /h @12 RPM
				1:72	24 m <sup>3</sup> /h @20 RPM	29 m <sup>3</sup> /h @24 RPM
				1:60	36 m <sup>3</sup> /h @30 RPM	44 m <sup>3</sup> /h @37 RPM
VPH125	125 mm	Flanged DN 125/ ANSI 5"	37 kW (50 HP)	1:292	11 m <sup>3</sup> /h @5 RPM	13 m <sup>3</sup> /h @6 RPM
				1:146	22 m <sup>3</sup> /h @10 RPM	27 m <sup>3</sup> /h @12 RPM
				1:72	44 m <sup>3</sup> /h @20 RPM	54 m <sup>3</sup> /h @24 RPM
VPH05 trilobes	5 mm	Flanged DN 15/ ANSI ½"	0,25 kW (0,33HP)	1:135	3,4 L/h @10 RPM	4,1 L/h @ 12 RPM
VPH10 trilobes	10 mm	Flanged DN 15/ ANSI ½"	0,55 kW (0,75HP)	1:45	10,2 L/h @31 RPM	12,2 L/h @ 37 RPM
				1:135	10 L/h @10 RPM	12 L/h @12 RPM
				1:69	20 L/h @20 RPM	24 L/h @24 RPM
				1:48	29 L/h @29 RPM	35 L/h @35 RPM
VPH15 trilobes	15 mm	Flanged DN 20/ ANSI ¾"	0,55 kW (0,75HP)	1:35	40 L/h @40 RPM	48 L/h @48 RPM
				1:135	36 L/h @10 RPM	44 L/h @12 RPM
				1:69	71 L/h @20 RPM	85 L/h @24 RPM
				1:48	101 L/h @29 RPM	122 L/h @35 RPM
VPH20 trilobes	20 mm	Flanged DN 25/ ANSI 1"	0,55 kW (0,75HP)	1:35	140 L/h @40 RPM	168 L/h @48 RPM
				1:135	57 L/h @10 RPM	68 L/h @12 RPM
				1:69	110 L/h @20 RPM	132 L/h @24 RPM
				1:48	158 L/h @29 RPM	190 L/h @35 RPM
VPH25 trilobes	25 mm	Flanged DN 25/ ANSI 1"	2,2 kW (3 HP)	1:35	218 L/h @40 RPM	262 L/h @48 RPM
				1:70	220 L/h @20 RPM	270 L/h @24 RPM
				1:46	340 L/h @30 RPM	410 L/h @36 RPM
				1:32	480 L/h @43 RPM	580 L/h @52 RPM
				1:28	560 L/h @50 RPM	670 L/h @60 RPM

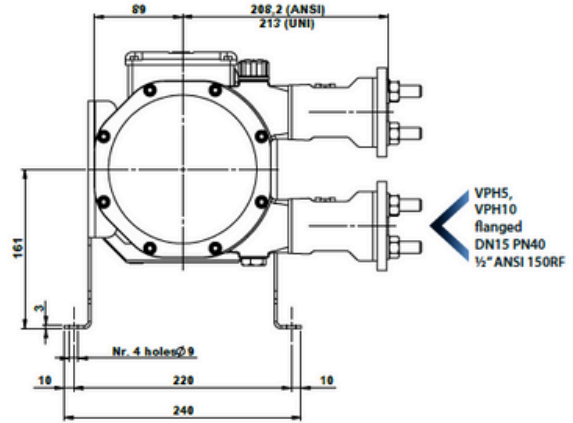
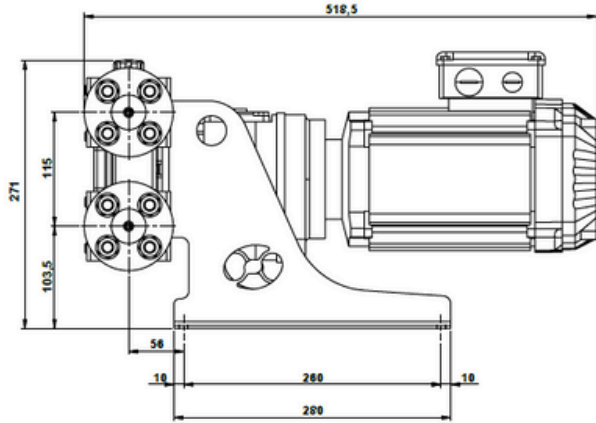


# VPH SERIES PUMP RANGE

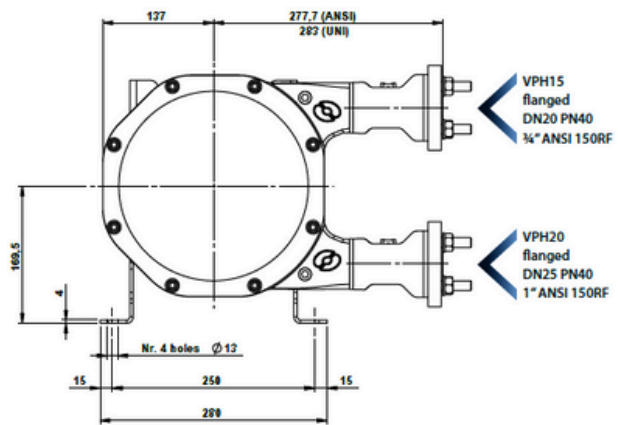
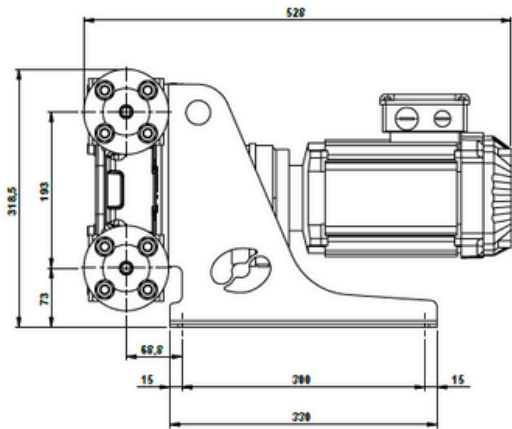


PERISTALTIC, VOLUMETRIC, HOSE PUMPS

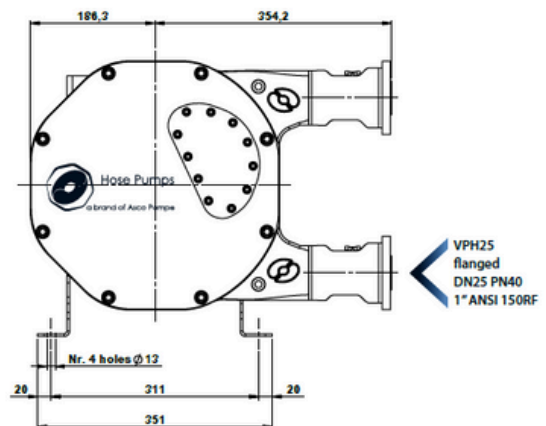
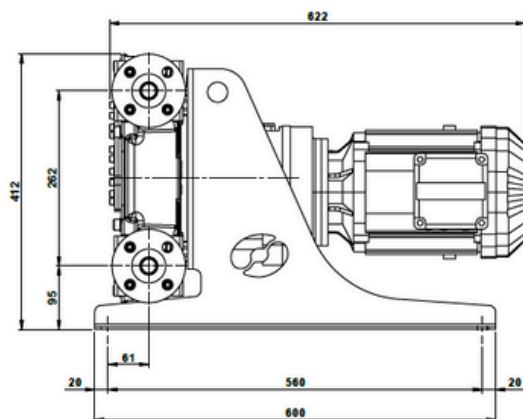
## VPH5, 10



## VPH 15,20



## VPH25



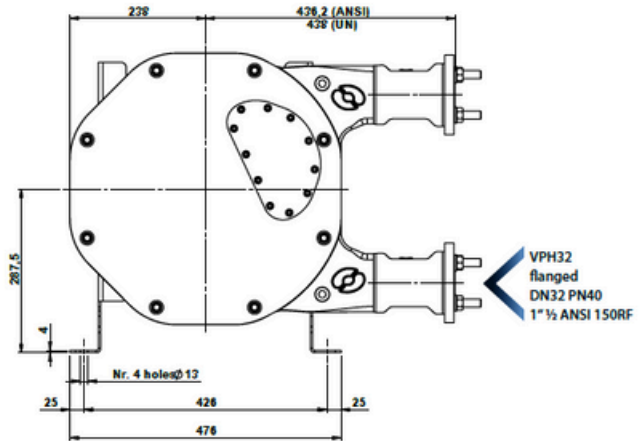
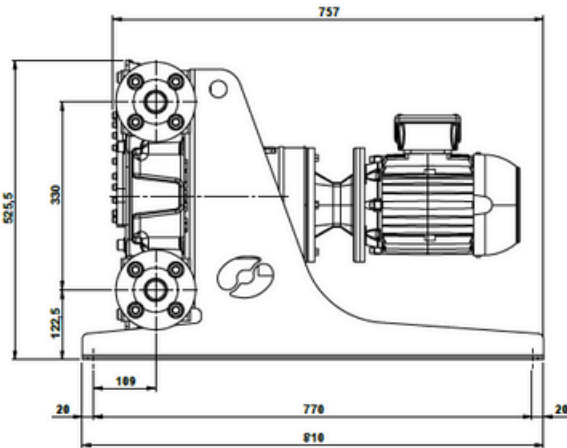
DIN 11851, tri-clamp and hose barb connections available on request

# VPH SERIES PUMP RANGE



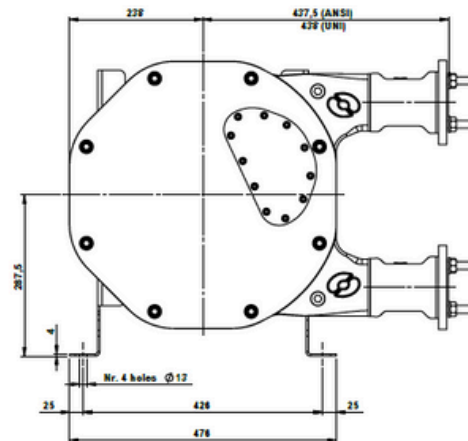
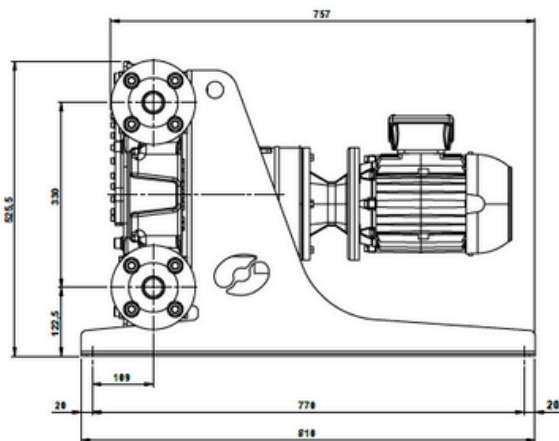
PERISTALTIC, VOLUMETRIC, HOSE PUMPS

## VPH32



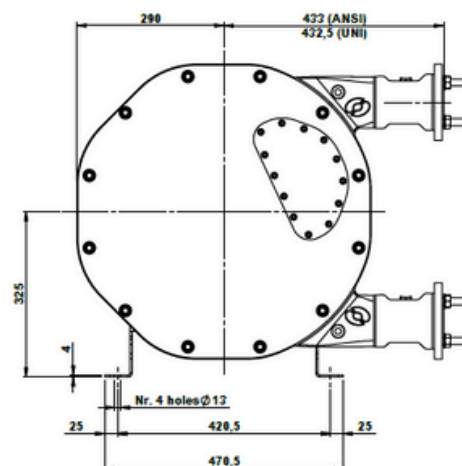
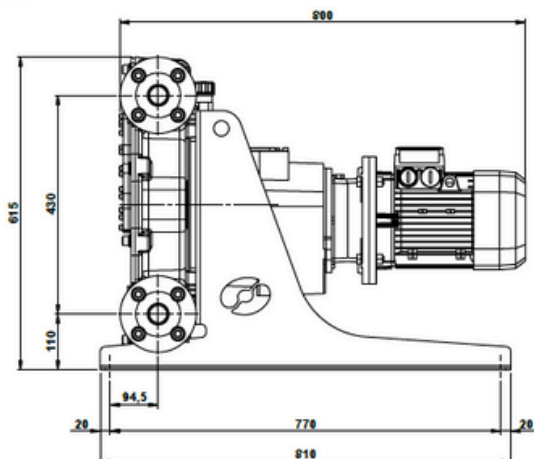
VPH32  
flanged  
DN32 PN40  
1" 1/2 ANSI 150RF

## VPH40



VPH40  
flanged  
DN40 PN40  
1" 1/2 ANSI 150RF

## VPH40L



VPH40L  
flanged  
DN40 PN40  
1" 1/2 ANSI 150RF

DIN 11851, tri-clamp and hose barb connections available on request

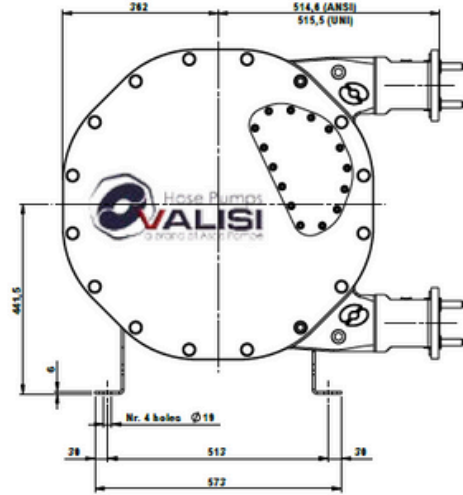
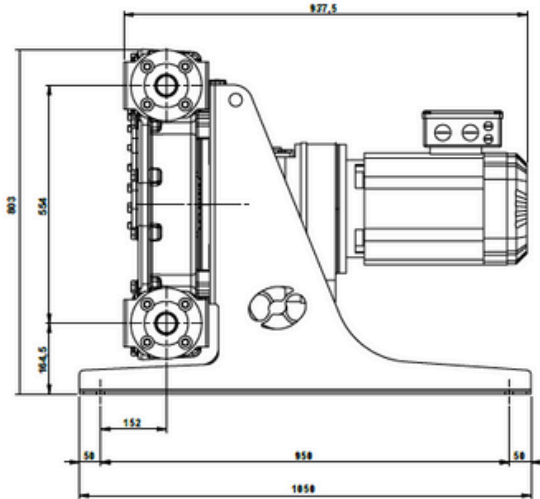


# VPH SERIES PUMP RANGE



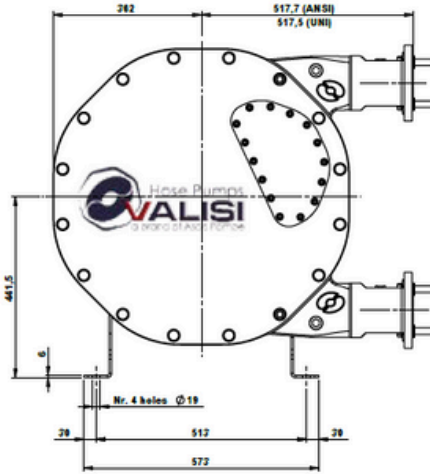
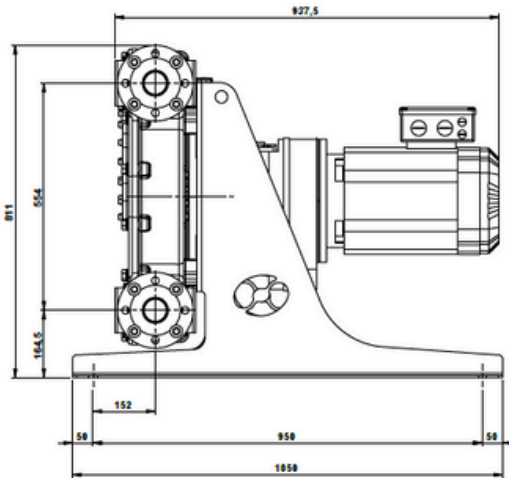
PERISTALTIC, VOLUMETRIC, HOSE PUMPS

## VPH50



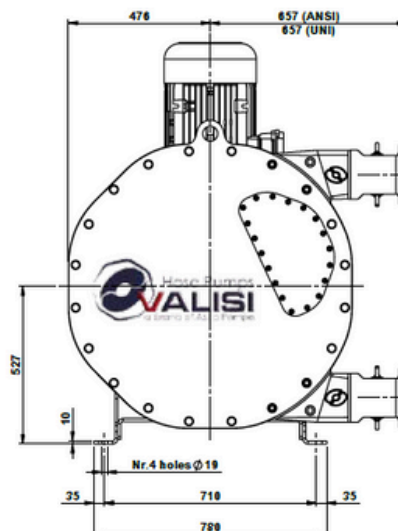
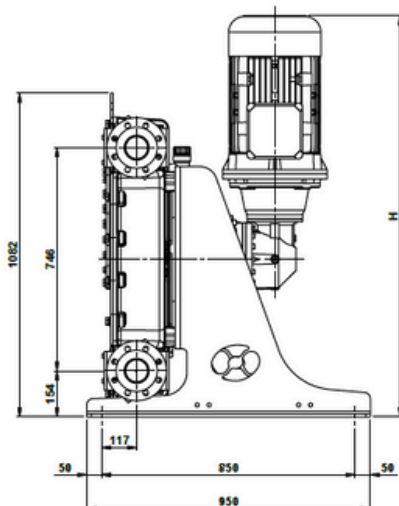
VPH50  
flanged  
DN50 PN40  
2" ANSI 150RF

## VPH65



VPH65  
flanged  
DN65 PN40  
2" 1/2 ANSI 150RF

## VPH80S



VPH80S  
flanged  
DN80 PN40  
3" ANSI 150RF

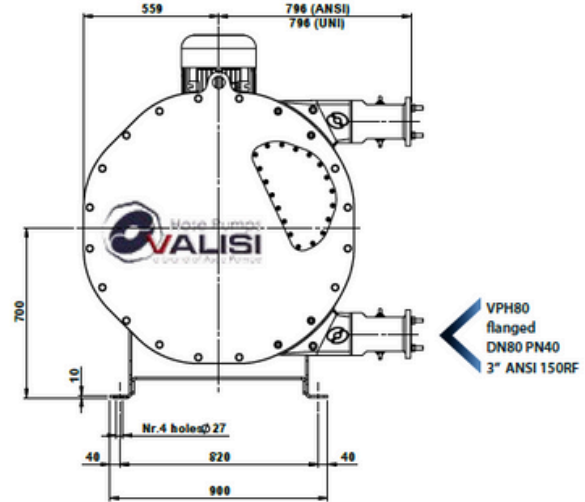
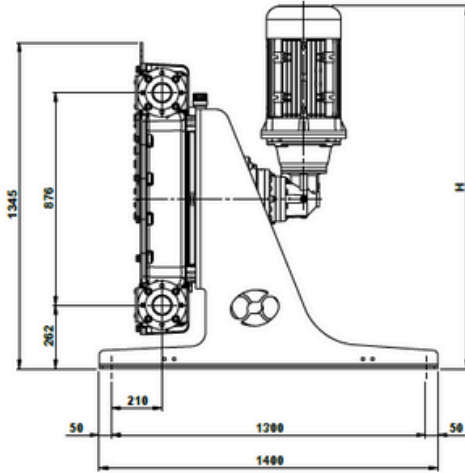
DIN 11851, tri-clamp and hose barb connections available on request

# VPH SERIES PUMP RANGE

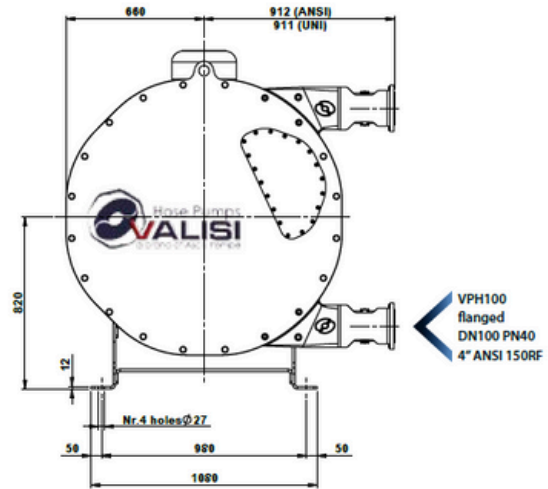
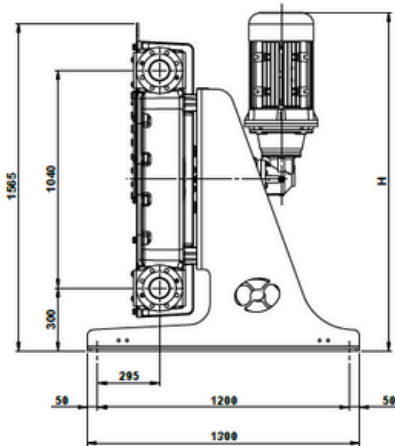


PERISTALTIC, VOLUMETRIC, HOSE PUMPS

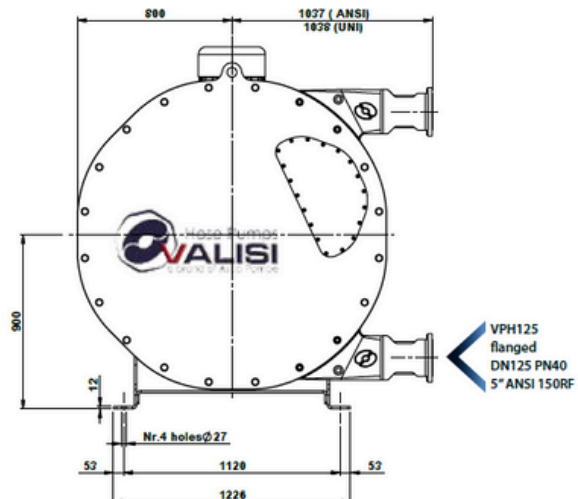
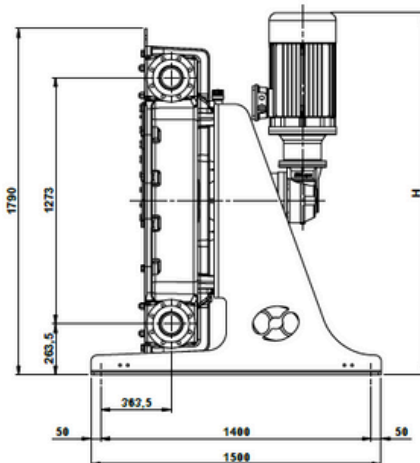
## VPH80



## VPH100



## VPH125



DIN 11851, tri-clamp and hose barb connections available on request

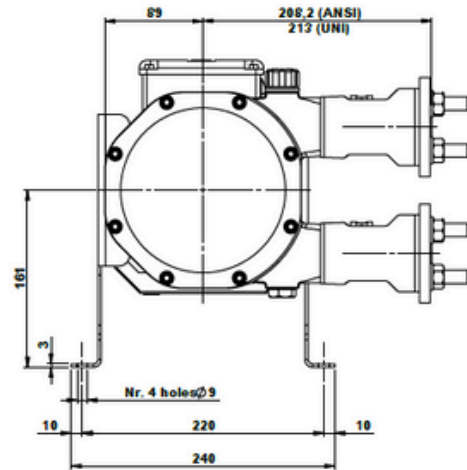
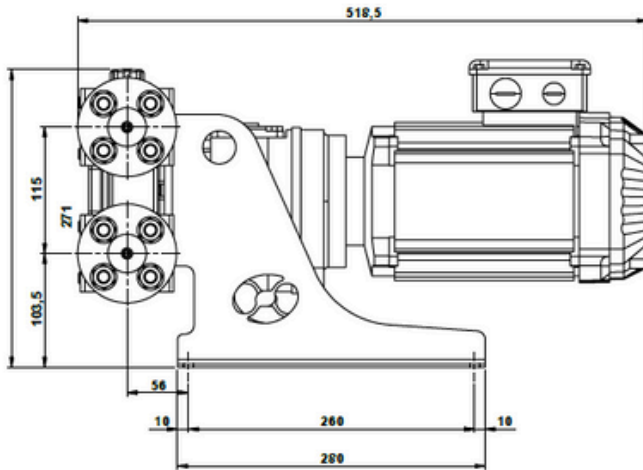


# VPH SERIES PUMP RANGE



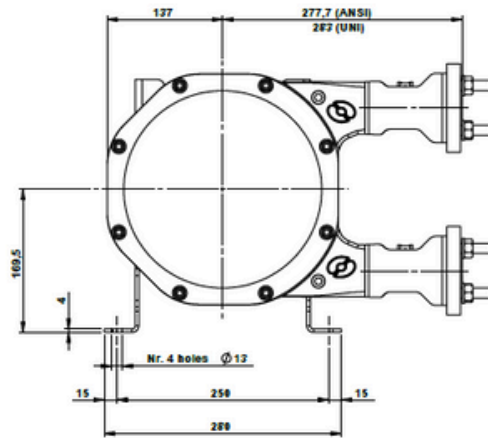
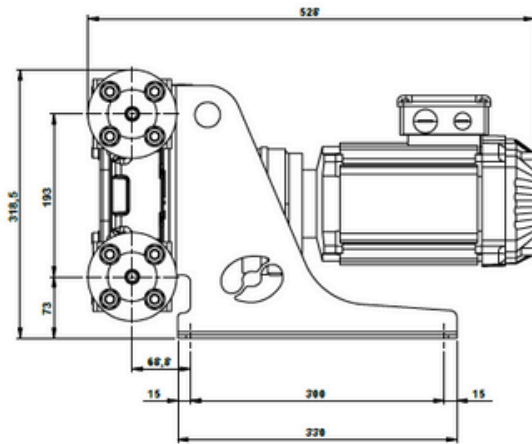
PERISTALTIC, VOLUMETRIC, HOSE PUMPS

## VPH5-3, 10-3,



VPH5-3,  
VPH10-3  
flanged  
DN15 PN40  
½" ANSI 150RF

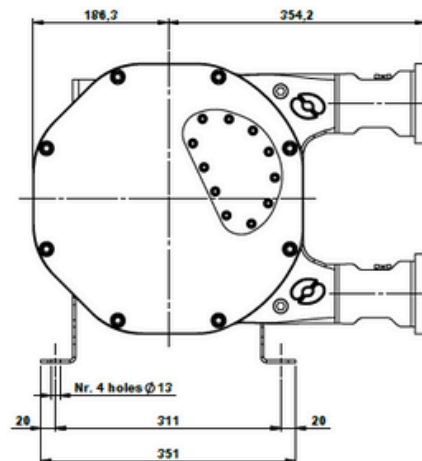
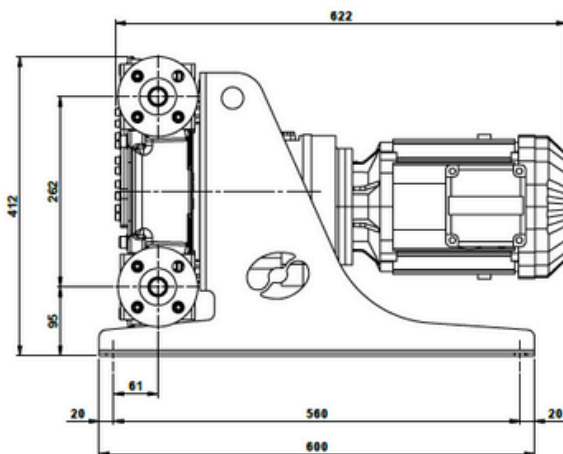
## VPH15-3, 20-3



VPH15-3  
flanged  
DN20 PN40  
¾" ANSI 150RF

VPH20-3  
flanged  
DN25 PN40  
1" ANSI 150RF

## VPH25-3



VPH25-3  
flanged  
DN25 PN40  
1" ANSI 150RF

DIN 11851, tri-clamp and hose barb connections available on request

# N SERIES PUMP RANGE




PERISTALTIC, **VOLUMETRIC**, HOSE PUMPS

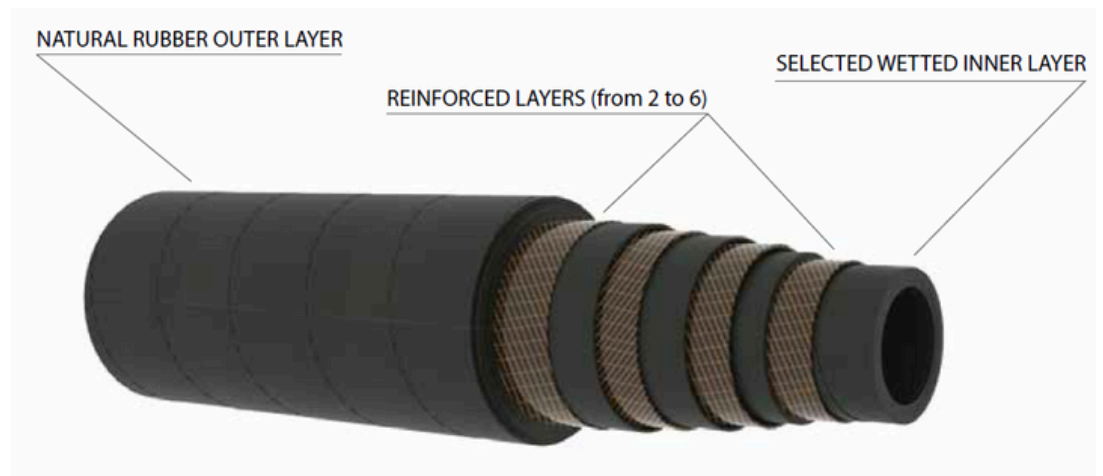
## HOSE FEATURES

The hose is the core of a hose pump and the most important component to guarantee high performance, long durability, and best efficiency.

Our highly engineered hoses ensure consistent flow rates virtually unaffected by variation of working conditions. It is made by several rubber layers reinforced by nylon cords. The inner layer is available in several rubber compounds while the external layer is made by natural rubber.

## HOSE MATERIALS AVAILABLE

-  NR
-  NRF-K Long Life
-  NBR - Nitrile
-  NBR-K Long life
-  EPDM
-  Hypalon - CSM
-  FKM - Viton
-  NR FDA - Natural Rubber FDA
-  NBR FDA - Nitrile FDA



## APPLICATIONS

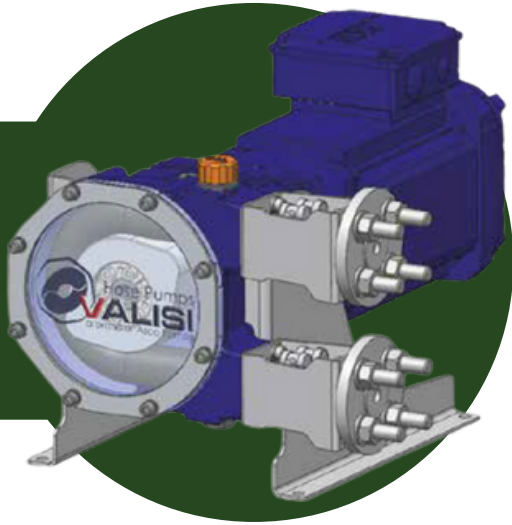




# VPH SERIES PUMP RANGE

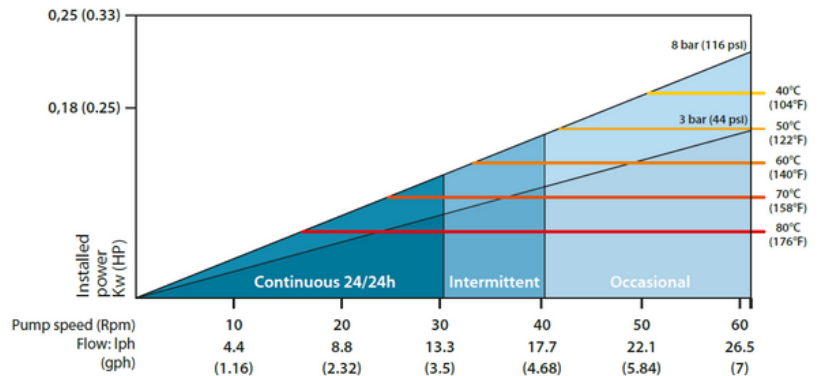


PERISTALTIC, VOLUMETRIC, HOSE PUMPS



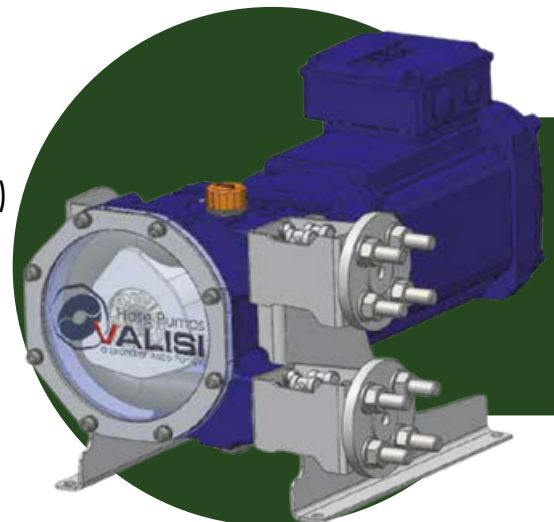
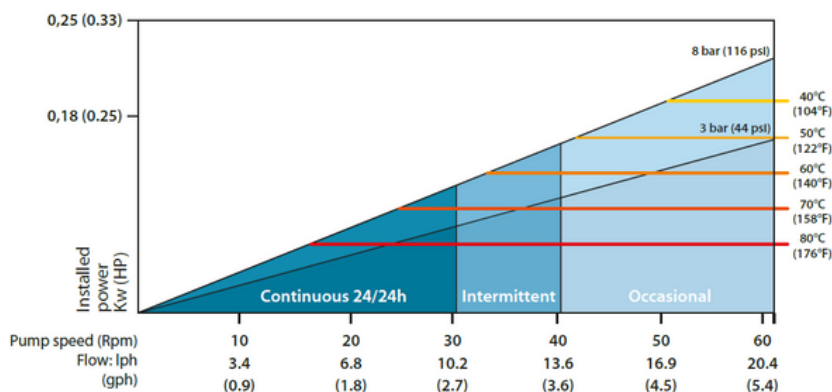
## VPH5

- ∞ Flow per revolution 0.0074 L
- ∞ Max. discharge pressure 8 bar
- ∞ Std. Connections flanged DN15 (ANSI 1/2")
- ∞ Internal hose diameter 5mm
- ∞ Max. liquid temperature 80°C
- ∞ Achievable Suction up to 0.9 bar



## VPH5-3

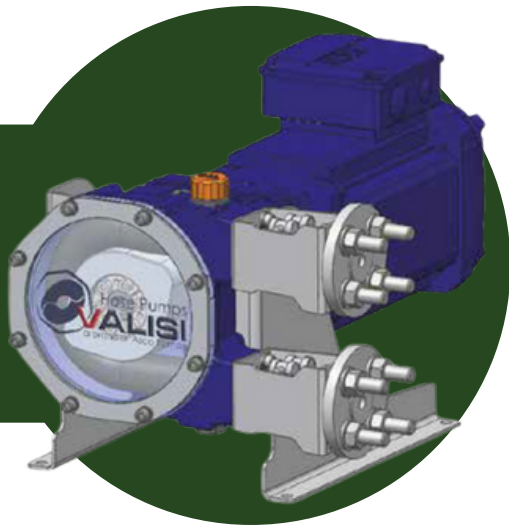
- ∞ Flow per revolution 0.0057 L
- ∞ Max. discharge pressure 8 bar
- ∞ Std. Connections flanged DN15 (ANSI 1/2")
- ∞ Internal hose diameter 5mm
- ∞ Max. liquid temperature 80°C
- ∞ Achievable Suction up to 0.9 bar



# VPH SERIES PUMP RANGE

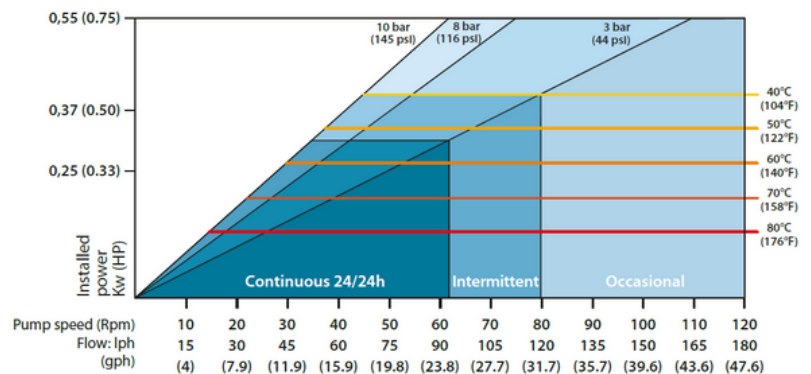


PERISTALTIC, VOLUMETRIC, HOSE PUMPS



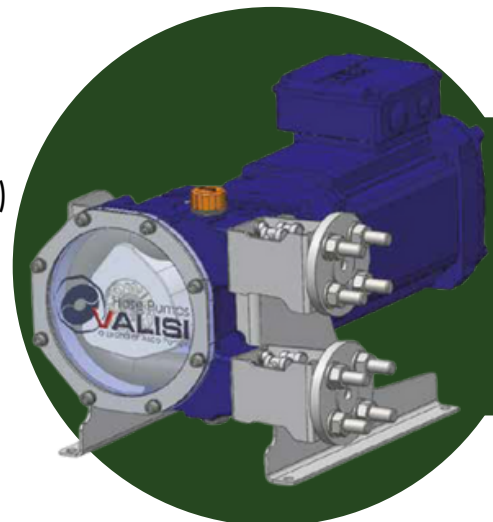
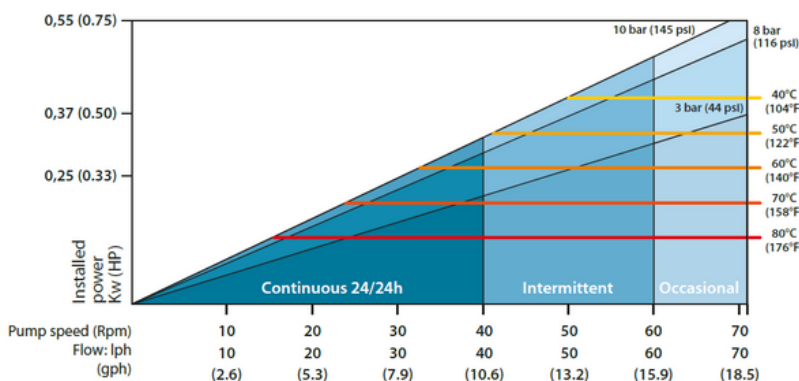
## VPH10

- ∞ Flow per revolution 0.0074 L
- ∞ Max. discharge pressure 8 bar
- ∞ Std. Connections flanged DN15 (ANSI 1/2")
- ∞ Internal hose diameter 5mm
- ∞ Max. liquid temperature 80°C
- ∞ Achievable Suction up to 0.9 bar



## VPH10-3

- ∞ Flow per revolution 0.0167 L
- ∞ Max. discharge pressure 10 bar
- ∞ Std. Connections flanged DN15 (ANSI 1/2")
- ∞ Internal hose diameter 10mm
- ∞ Max. liquid temperature 80°C
- ∞ Achievable Suction up to 0.9 bar

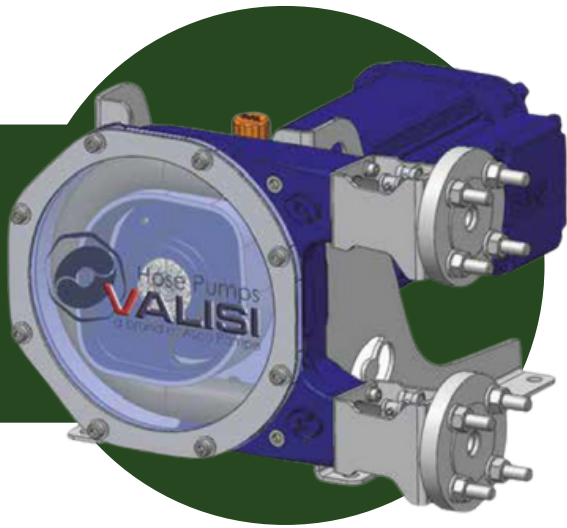




# VPH SERIES PUMP RANGE

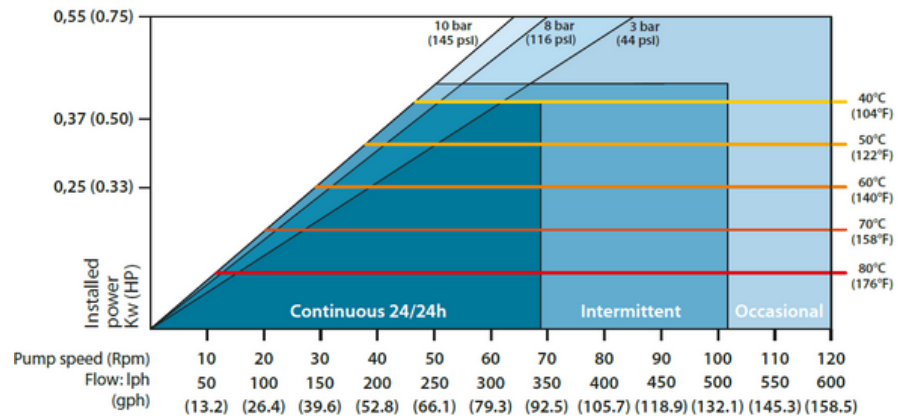


PERISTALTIC, VOLUMETRIC, HOSE PUMPS



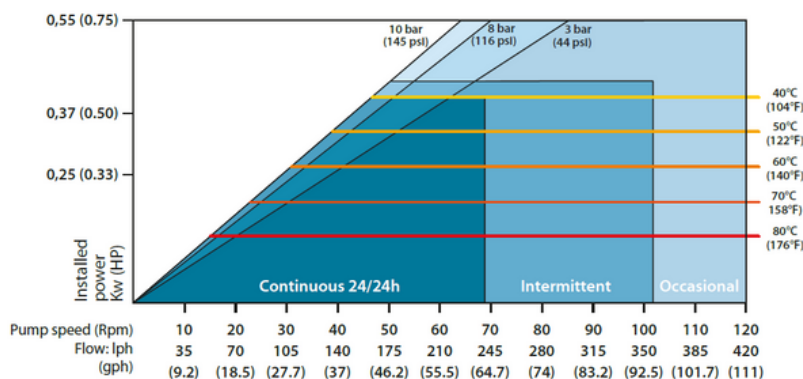
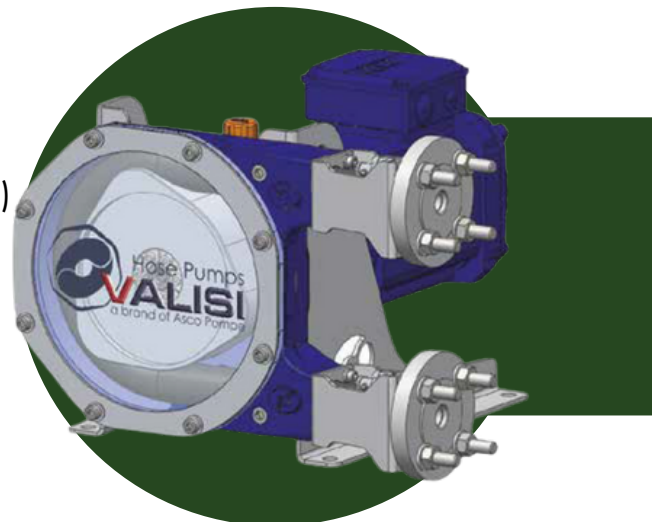
## VPH15

- ∞ Flow per revolution 0.083 L
- ∞ Max. discharge pressure 10 bar
- ∞ Std. Connections flanged DN20 (ANSI 3/4")
- ∞ Internal hose diameter 15mm
- ∞ Max. liquid temperature 80°C
- ∞ Achievable Suction up to 0.9 bar



## VPH15-3

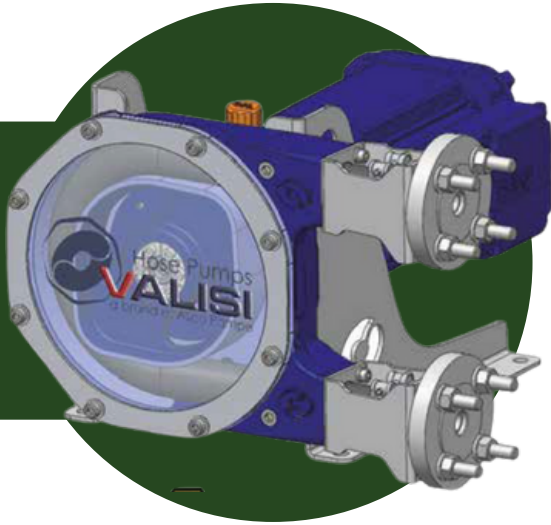
- ∞ Flow per revolution 0.0583 L
- ∞ Max. discharge pressure 10 bar
- ∞ Std. Connections flanged DN20 (ANSI 3/4")
- ∞ Internal hose diameter 15mm
- ∞ Max. liquid temperature 80°C
- ∞ Achievable Suction up to 0.9 bar



# VPH SERIES PUMP RANGE

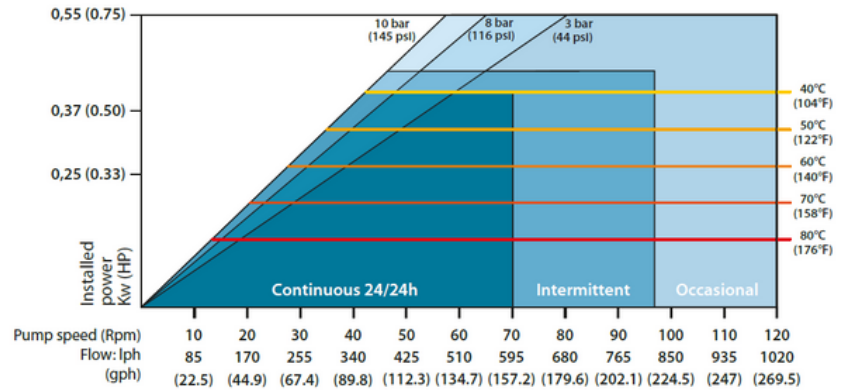


PERISTALTIC, VOLUMETRIC, HOSE PUMPS



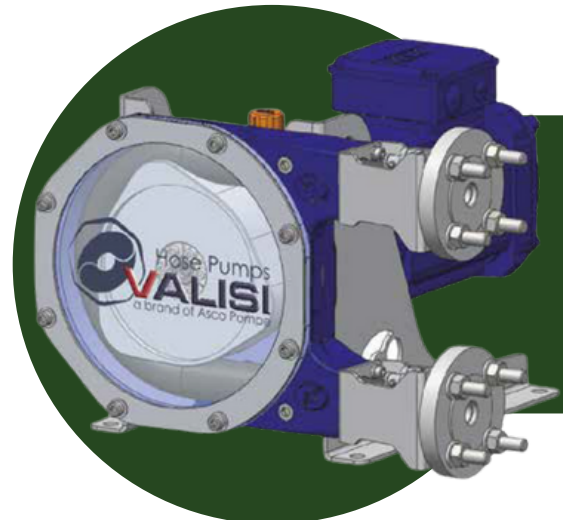
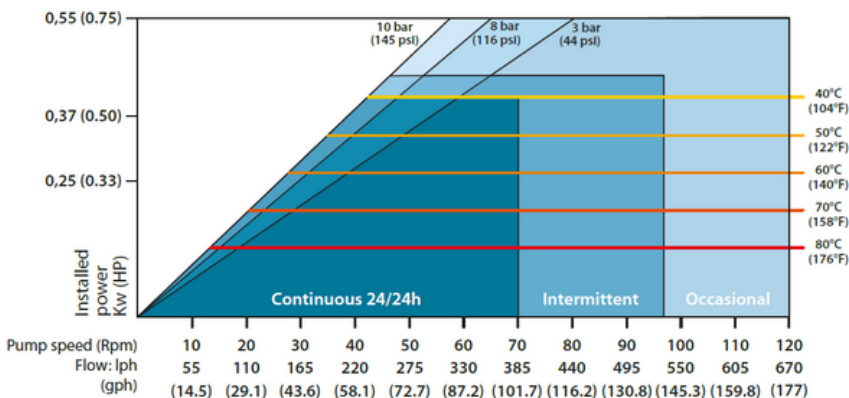
## VPH20

- ∞ Flow per revolution 0.142 L
- ∞ Max. discharge pressure 10 bar
- ∞ Std. Connections flanged DN25 (ANSI 1")
- ∞ Internal hose diameter 20mm
- ∞ Max. liquid temperature 80°C
- ∞ Achievable Suction up to 0.9 bar



## VPH20-3

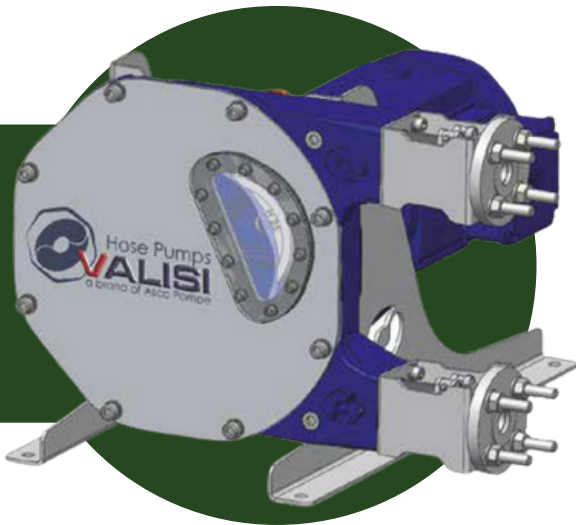
- ∞ Flow per revolution 0.091 L
- ∞ Max. discharge pressure 10 bar
- ∞ Std. Connections flanged DN25 (ANSI 1")
- ∞ Internal hose diameter 20mm
- ∞ Max. liquid temperature 80°C
- ∞ Achievable Suction up to 0.9 bar



# VPH SERIES PUMP RANGE

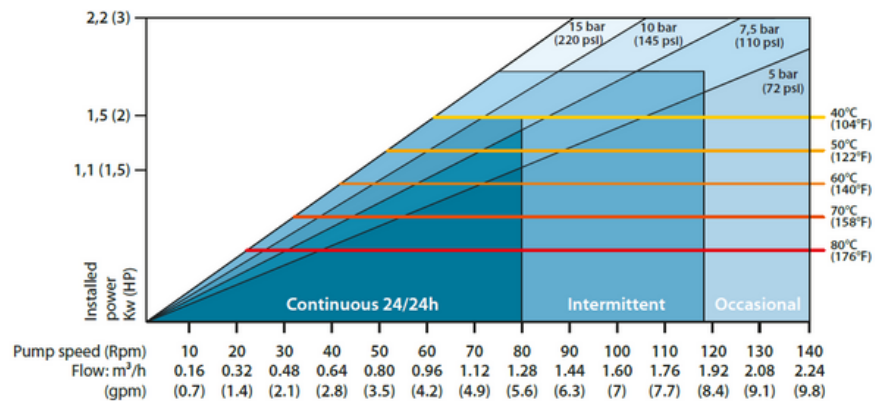


PERISTALTIC, VOLUMETRIC, HOSE PUMPS



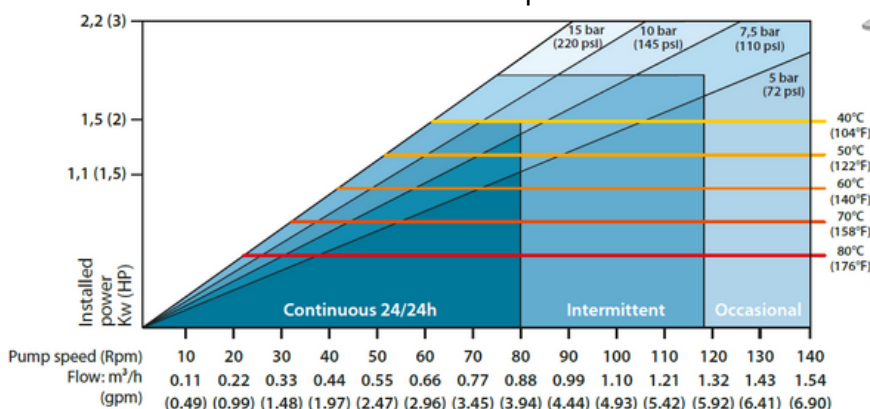
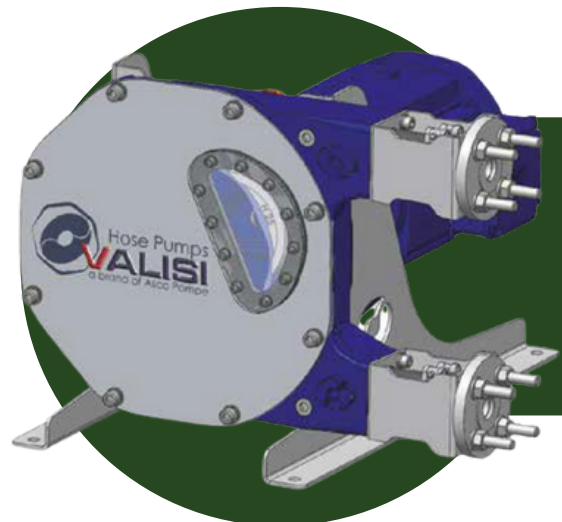
## VPH25

- ∞ Flow per revolution 0.266 L
- ∞ Max. discharge pressure 15 bar
- ∞ Std. Connections flanged DN25 (ANSI 1")
- ∞ Internal hose diameter 25mm
- ∞ Max. liquid temperature 80°C
- ∞ Achievable Suction up to 0.9 bar



## VPH25-3

- ∞ Flow per revolution 0.186 L
- ∞ Max. discharge pressure 15 bar
- ∞ Std. Connections flanged DN25 (ANSI 1")
- ∞ Internal hose diameter 25mm
- ∞ Max. liquid temperature 80°C
- ∞ Achievable Suction up to 0.9 bar

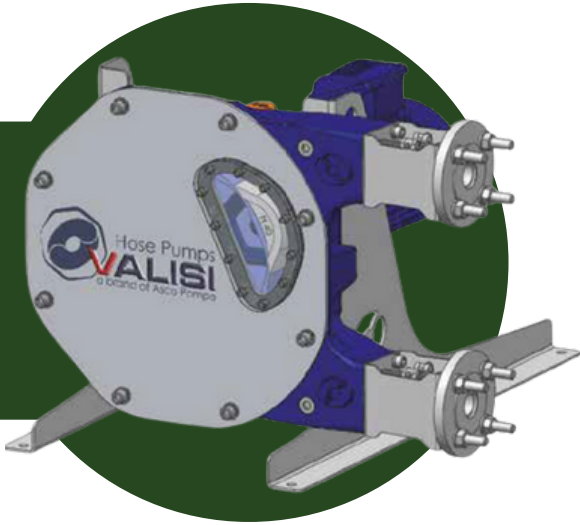




# VPH SERIES PUMP RANGE

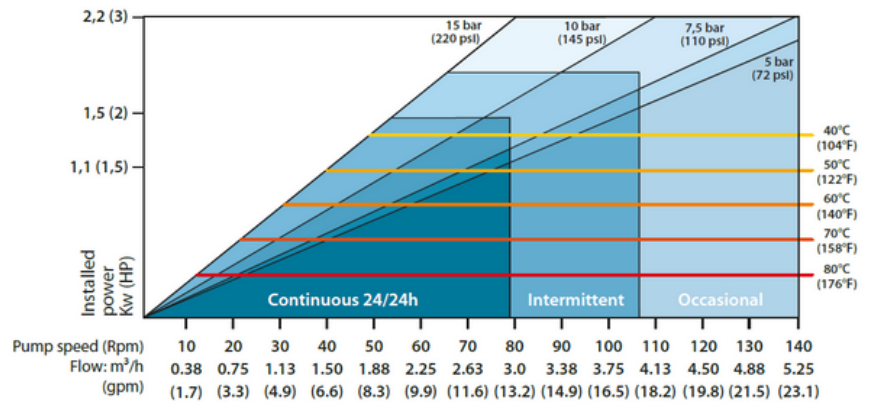


PERISTALTIC, VOLUMETRIC, HOSE PUMPS



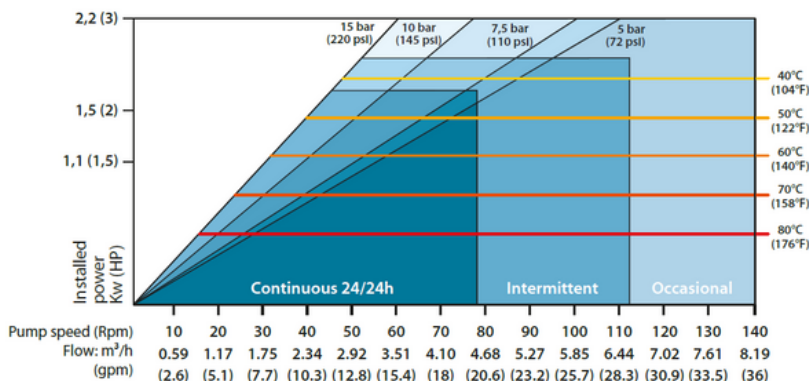
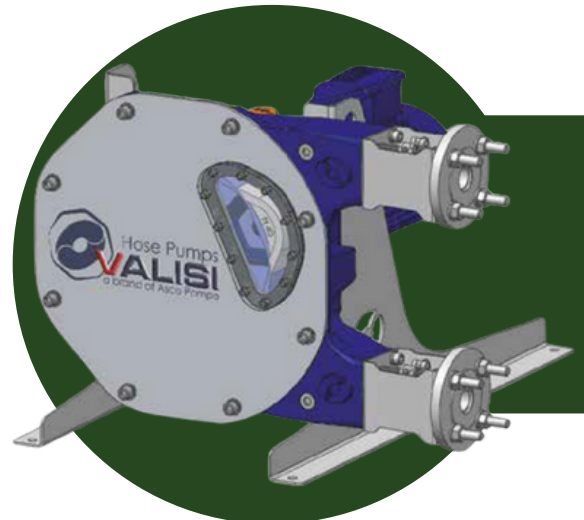
## VPH32

- ∞ Flow per revolution 0.635 L
- ∞ Max. discharge pressure 15 bar
- ∞ Std. Connections flanged DN32 (ANSI 1 1/4")
- ∞ Internal hose diameter 32mm
- ∞ Max. liquid temperature 80°C
- ∞ Achievable Suction up to 0.9 bar



## VPH40

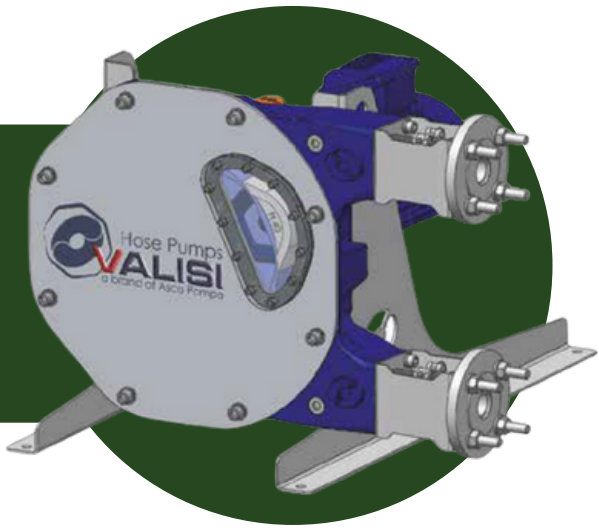
- ∞ Flow per revolution 0.975 L
- ∞ Max. discharge pressure 15 bar
- ∞ Std. Connections flanged DN40 (ANSI 1 1/2")
- ∞ Internal hose diameter 40mm
- ∞ Max. liquid temperature 80°C
- ∞ Achievable Suction up to 0.9 bar



# VPH SERIES PUMP RANGE

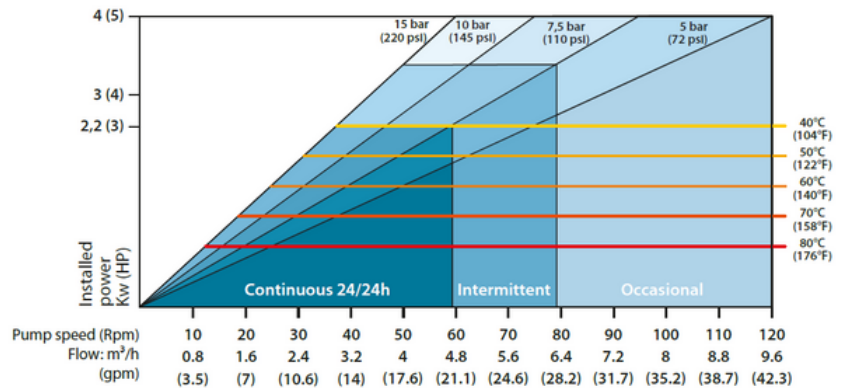


PERISTALTIC, VOLUMETRIC, HOSE PUMPS



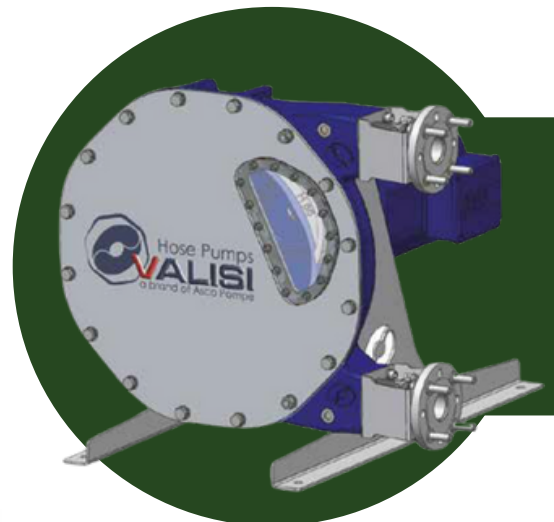
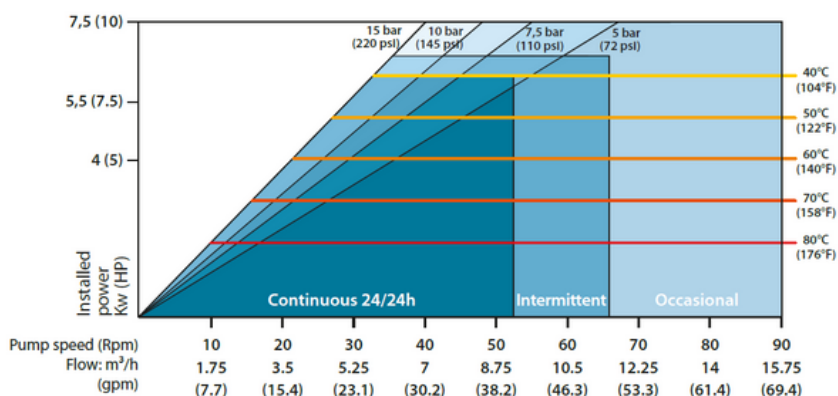
## VPH40L

- ∞ Flow per revolution 1.33 L
- ∞ Max. discharge pressure 15 bar
- ∞ Std. Connections flanged DN40 (ANSI 1 1/2")
- ∞ Internal hose diameter 40mm
- ∞ Max. liquid temperature 80°C
- ∞ Achievable Suction up to 0.9 bar



## VPH50

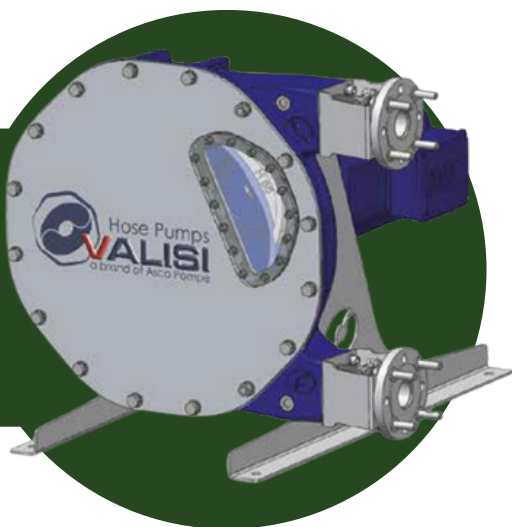
- ∞ Flow per revolution 2.917 L
- ∞ Max. discharge pressure 15 bar
- ∞ Std. Connections flanged DN50 (ANSI 2")
- ∞ Internal hose diameter 50mm
- ∞ Max. liquid temperature 80°C
- ∞ Achievable Suction up to 0.9 bar



# VPH SERIES PUMP RANGE

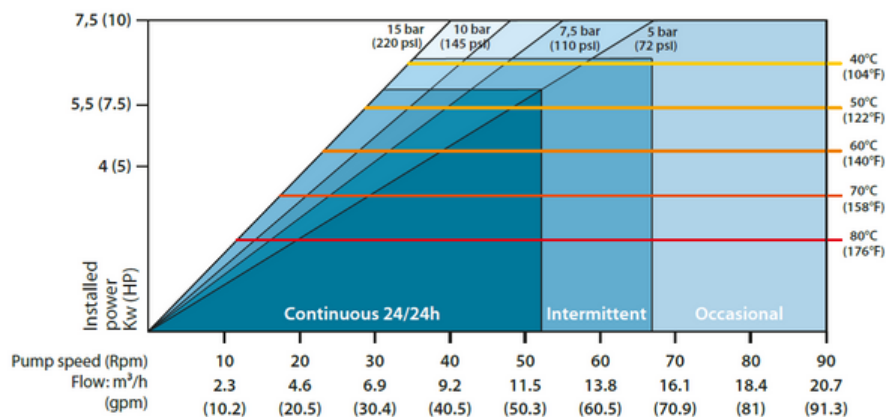


PERISTALTIC, VOLUMETRIC, HOSE PUMPS



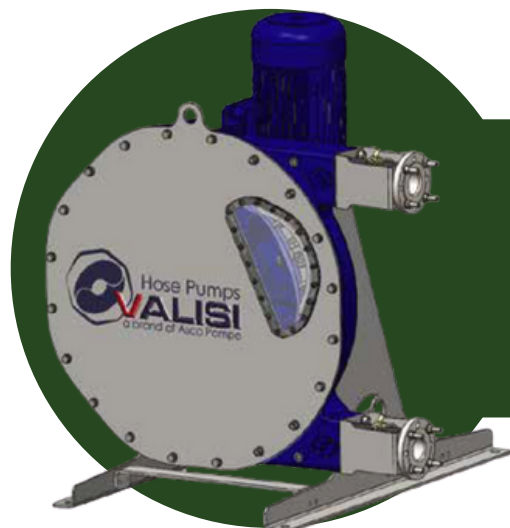
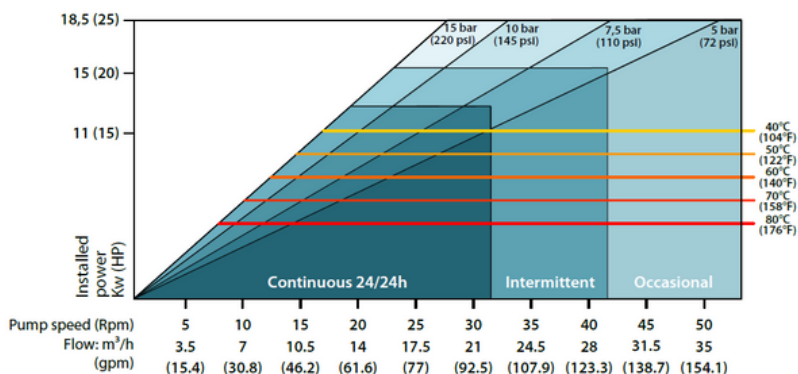
## VPH65

- ∞ Flow per revolution 3.833 L
- ∞ Max. discharge pressure 15 bar
- ∞ Std. Connections flanged DN65 (ANSI 2 1/2")
- ∞ Internal hose diameter 65mm
- ∞ Max. liquid temperature 80°C
- ∞ Achievable Suction up to 0.9 bar



## VPH80

- ∞ Flow per revolution 11.667 L
- ∞ Max. discharge pressure 15 bar
- ∞ Std. Connections flanged DN80 (ANSI 3")
- ∞ Internal hose diameter 80mm
- ∞ Max. liquid temperature 80°C
- ∞ Achievable Suction up to 0.9 bar

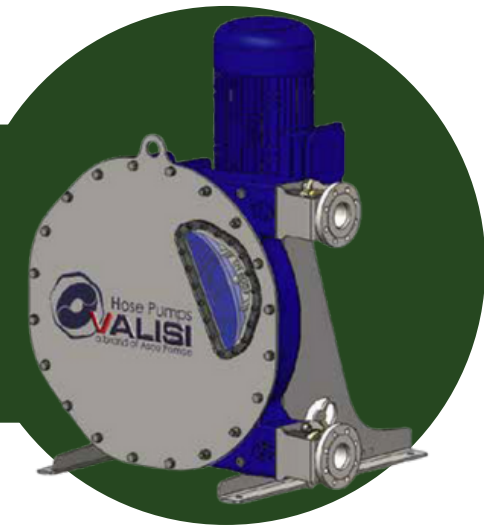




# VPH SERIES PUMP RANGE

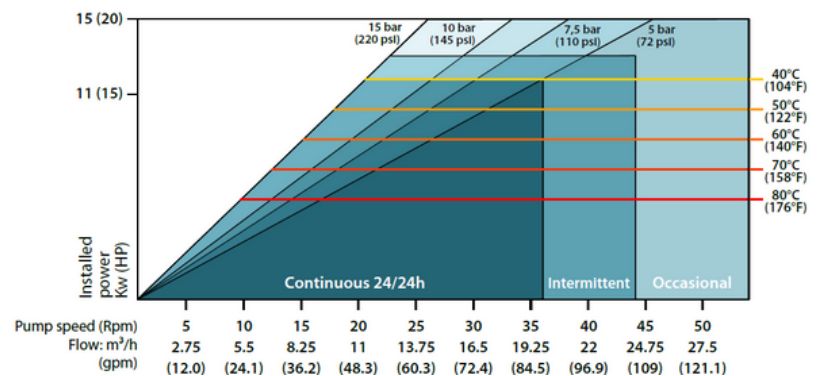


PERISTALTIC, VOLUMETRIC, HOSE PUMPS



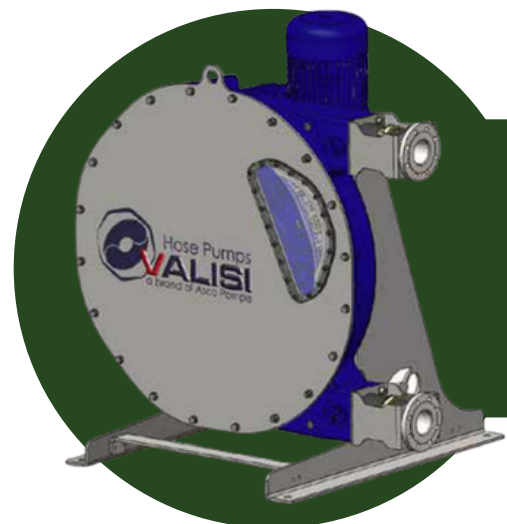
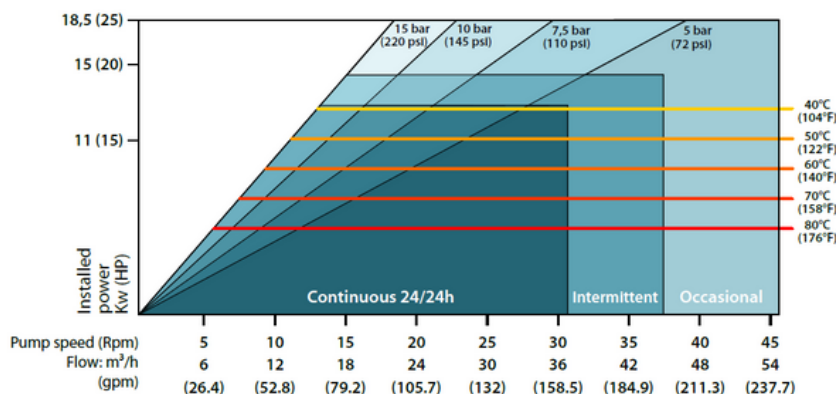
## VPH80S

- ∞ Flow per revolution 9.167 L
- ∞ Max. discharge pressure 15 bar
- ∞ Std. Connections flanged DN80 (ANSI 3")
- ∞ Internal hose diameter 80mm
- ∞ Max. liquid temperature 80°C
- ∞ Achievable Suction up to 0.9 bar



## VPH100

- ∞ Flow per revolution 20 L
- ∞ Max. discharge pressure 15 bar
- ∞ Std. Connections flanged DN100 (ANSI 4")
- ∞ Internal hose diameter 100mm
- ∞ Max. liquid temperature 80°C
- ∞ Achievable Suction up to 0.9 bar



# VPH SERIES PUMP RANGE



PERISTALTIC, **VOLUMETRIC**, HOSE PUMPS



## VPH125

- ∞ Flow per revolution 33.667 L
- ∞ Max. discharge pressure 15 bar
- ∞ Std. Connections flanged DN125 (ANSI 5")
- ∞ Internal hose diameter 125mm
- ∞ Max. liquid temperature 80°C
- ∞ Achievable Suction up to 0.9 bar

