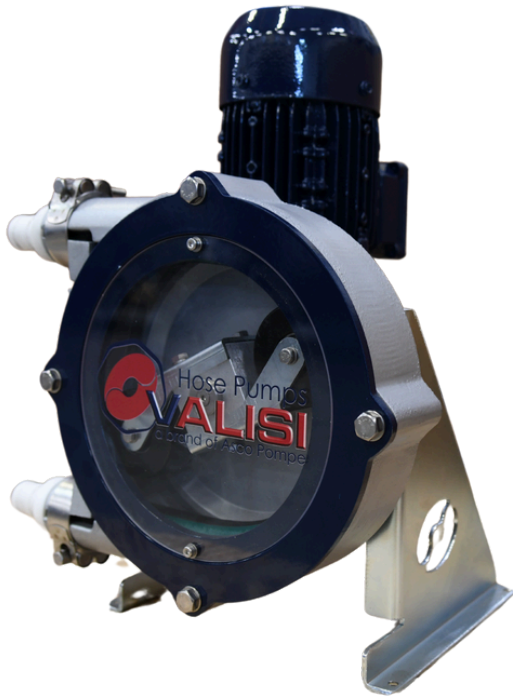


N SERIES PUMP RANGE



PERISTALTIC, VOLUMETRIC, HOSE PUMPS



∞ MAX. FLOW RATE : < 415m³/hr

∞ MAX. PRESSURE : < 7 bar

∞ HOSE DIAMETER : < 45mm

∞ MAX TEMPERATURE : 90°C

∞ ROLLER TECHNOLOGY

∞ SIMPLE PUMP MAINTENANCE

Part of the
PERISTALTIC
Pump Range



VPH SERIES



N SERIES

PERISTALTIC HOSE PUMPS

VALISI peristaltic hose pumps are ideal for transferring and dosing a wide range of fluids in different applications. They are sealless, as the hose contains the pumped liquid thus eliminating the possibility of fluid contamination.

A diverse selection of hoses are available, each offering varying levels of chemical compatibility and mechanical resistance to suit specific application requirements. With roller technology, no lubrication is needed, ensuring a long hose lifespan. These pumps are bi-directional, self priming, easy to clean, and capable of running dry, making maintenance quick and straightforward.

The N2, N3 and N4 models are the most compact in the VALISI range, making them ideal for OEM applications due to their lightweight and space-saving design. The models N5N-N6N-N7N are the medium sizes among the VALISI range and suitable for Industrial applications, thanks to their compact and sturdy design.

HOSE FEATURES

Two rollers attached to the rotor alternately compress the hose within the pump head, driving liquid toward the discharge side. For higher-pressure applications, hoses can be reinforced. Non-reinforced hoses operate at pressures up to 2 bar on the discharge side, while reinforced hoses can withstand up to 7 bar. The reinforcement consists of polyamide layers, with 2 to four layers depending on the pump size.

LEAK DETECTORS

A NAMUR capacitive sensor can be installed to detect hose failures. This sensor is compliant to EN60947-5-6, it features a PEEK case with a PVC lid, and uses a two-wire technology with a two-meter PVC cable. Its IP67 enclosure, is suitable for both safe and hazardous areas in gas zone 0 and dust zone 20.

N SERIES PUMP RANGE



PERISTALTIC, VOLUMETRIC, HOSE PUMPS

TECHNICAL SPECIFICATION

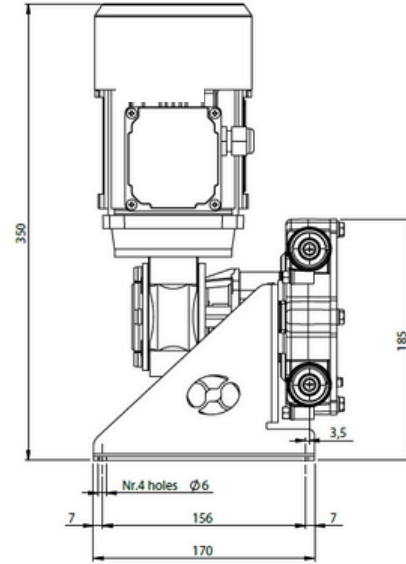
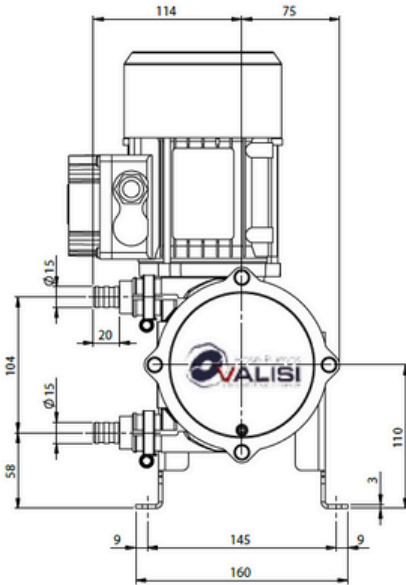
PUMP MODEL	HOSE DIA. (INTERNAL)	CONNECTIONS	MOTOR POWER	GEAR RATIO	FLOW RATES - 4 POLES	
					50 Hz	60 Hz
N2	9 mm	Hose Barb 16 mm	0,18 kW (0,25HP)	1:100	15 L/h @ 15 RPM	18 L/h @ 18 RPM
				1:60	24 L/h @ 24 RPM	29 L/h @ 29 RPM
				1:40	36 L/h @ 36 RPM	43 L/h @ 43 RPM
				1:30	48 L/h @ 48 RPM	58 L/h @ 58 RPM
				1:20	73 L/h @ 73 RPM	88 L/h @ 88 RPM
N3	13 mm	Hose Barb 19 mm	0,18 kW (0,25HP)	1:100	38 L/h @ 15 RPM	46 L/h @ 18 RPM
				1:60	60 L/h @ 24 RPM	72 L/h @ 29 RPM
				1:40	90 L/h @ 36 RPM	108 L/h @ 43 RPM
				1:30	120 L/h @ 48 RPM	144 L/h @ 58 RPM
				1:20	183 L/h @ 73 RPM	220 L/h @ 88 RPM
N4	17 mm	Hose Barb 25 mm	0,18 kW (0,25HP)	1:100	98 L/h @ 15 RPM	117 L/h @ 18 RPM
				1:60	156 L/h @ 24 RPM	189 L/h @ 29 RPM
				1:46	208 L/h @ 32 RPM	247 L/h @ 38 RPM
				1:35	267 L/h @ 41 RPM	325 L/h @ 50 RPM
				1:20	475 L/h @ 73 RPM	572 L/h @ 88 RPM
PUMP MODEL	HOSE DIA. (INTERNAL)	CONNECTIONS	MOTOR POWER	GEAR RATIO	FLOW RATES - 4 POLES	
					50 Hz	60 Hz
N5N	25 mm	Flanged DN 25/ANSI 1"	0,55 kW (0,75 HP)	1:86	309 L/h @ 16 RPM	371 L/h @ 19 RPM
				1:50	83 L/h @ 25 RPM	80 L/h @ 30 RPM
				1:45	618 L/h @ 32 RPM	742 L/h @ 38 RPM
				1:37	753 L/h @ 39 RPM	904 L/h @ 47 RPM
				1:29	965 L/h @ 50 RPM	1.158 L/h @ 60 RPM
				1:25	1139 L/h @ 59 RPM	1.367 L/h @ 71 RPM
N6N	30 mm	Flanged DN 40/ANSI 1" ½	1,5 kW (2 HP)	1:69	874 L/h @ 21 RPM	1.050 L/h @ 25 RPM
				1:58	1.000 L/h @ 24 RPM	1.200 L/h @ 29 RPM
				1:48	1.250 L/h @ 30 RPM	1.500 L/h @ 36 RPM
				1:39	1.500 L/h @ 36 RPM	1.800 L/h @ 43 RPM
				1:35	1.705 L/h @ 41 RPM	2.046 L/h @ 49 RPM
				1:31	1.870 L/h @ 45 RPM	2.245 L/h @ 54 RPM
N7N	45 mm	Flanged DN 50/ANSI 2"	2,2 kW (3 HP)	1:27	2.250 L/h @ 54 RPM	2.700 L/h @ 65 RPM
				1:77	2.195 L/h @ 19 RPM	2.634 L/h @ 25 RPM
				1:58	2.775 L/h @ 24 RPM	3.330 L/h @ 29 RPM
				1:46	3.700 L/h @ 32 RPM	4.440 L/h @ 38 RPM
				1:39	4.160 L/h @ 36 RPM	4.995 L/h @ 43 RPM
				1:32	5.085 L/h @ 44 RPM	6.105 L/h @ 53 RPM

N SERIES PUMP RANGE

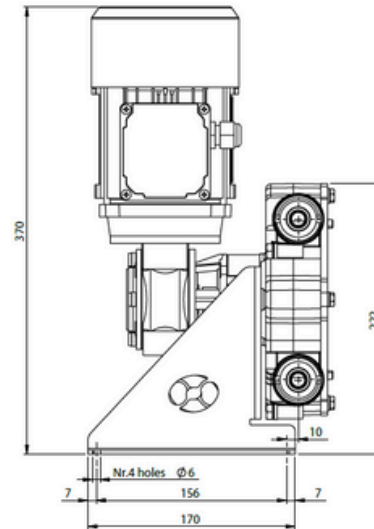
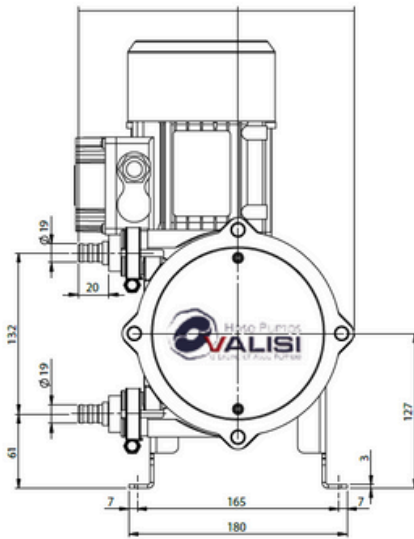


PERISTALTIC, VOLUMETRIC, HOSE PUMPS

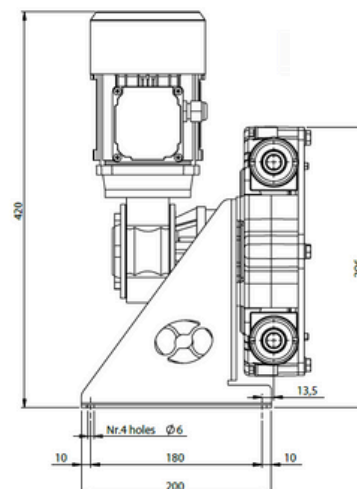
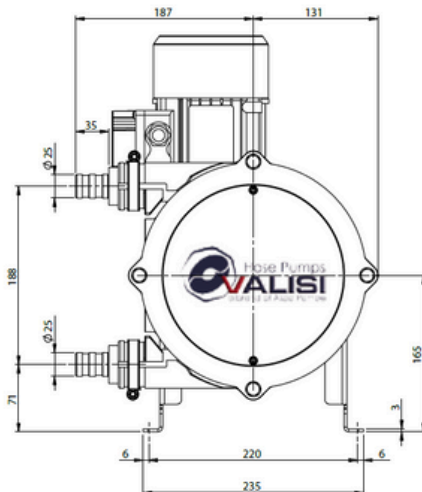
N2



N3



N4

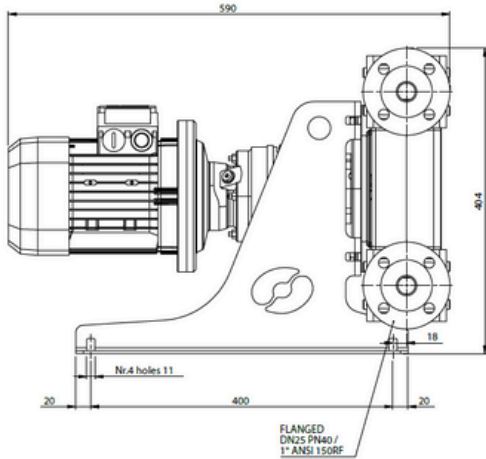
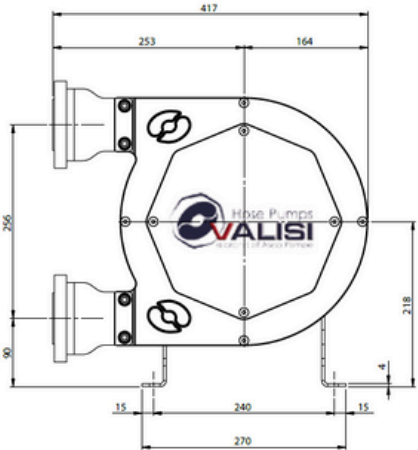


N SERIES PUMP RANGE

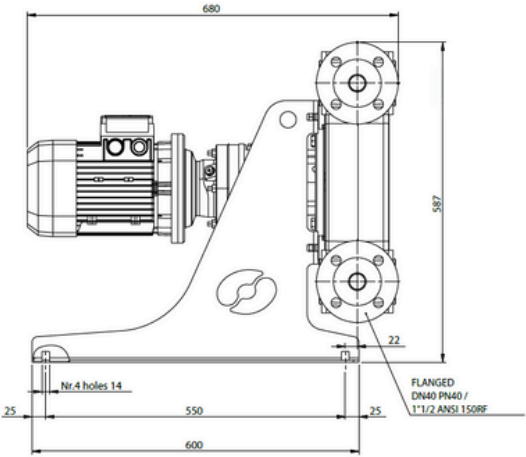
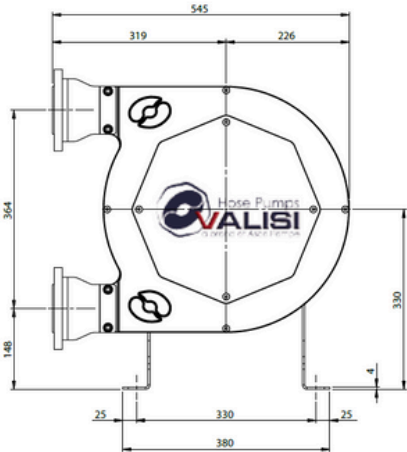


PERISTALTIC, VOLUMETRIC, HOSE PUMPS

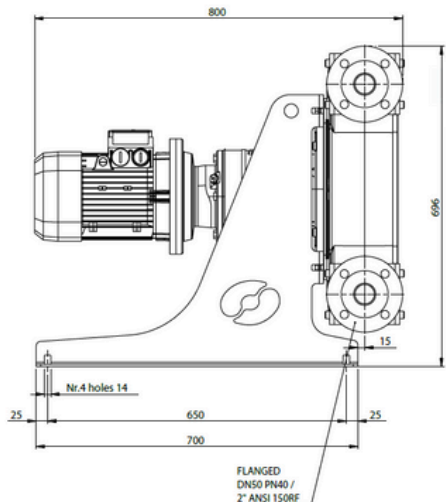
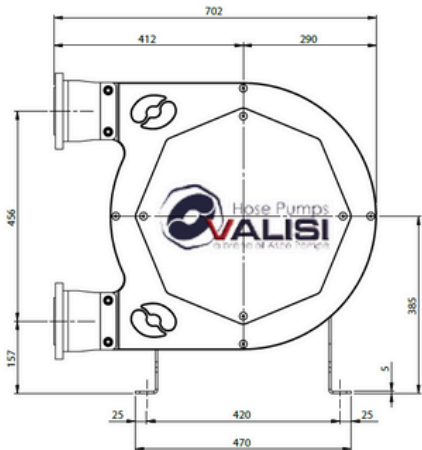
N5N



N6N



N7N



N SERIES PUMP RANGE



PERISTALTIC, VOLUMETRIC, HOSE PUMPS

HOSE FEATURES





The rotor is equipped with two rollers that alternately compress the hose inside the pump head, driving the liquid towards the discharge side. Hoses can be reinforced to handle higher pressures. Non-reinforced hoses can operate at pressures of up to 2 bar on the discharge side, while reinforced hoses can withstand pressures of up to 7 bar. The reinforcing layer is made from polyamide and can consist of two to four layers, depending on the pump size.

HOSE DIMENSION			
PUMP SIZE	Int. dia. mm	Ext. dia. mm	Length mm
N2	9	16	330
N3	13	22	390
N4	17	31	590
N5N	25	43	860
N6N	30	55	1150
N7N	45	75	1455

REINFORCED HOSES

-  NR
-  NRF-K Long Life
-  NBR
-  EPDM
-  NR Food Grade
-  FKM - Viton
-  NBR Food Grade
-  Hypalon

NON-REINFORCED HOSES

-  Tygon A60F FDA Approved & NSF51
-  Neoprene
-  Hypalon
-  Silicon

On request

Tygon XL 60, FDA Approved
Pharmed proofed USP class IV, FDA & NSF

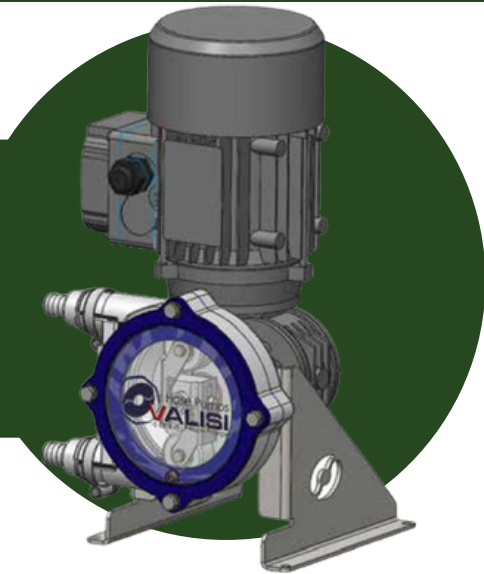
APPLICATIONS



N SERIES PUMP RANGE

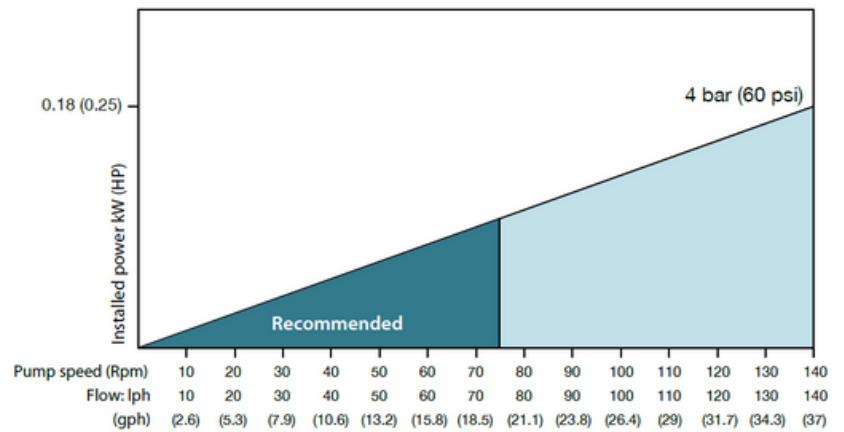


PERISTALTIC, **VOLUMETRIC**, HOSE PUMPS



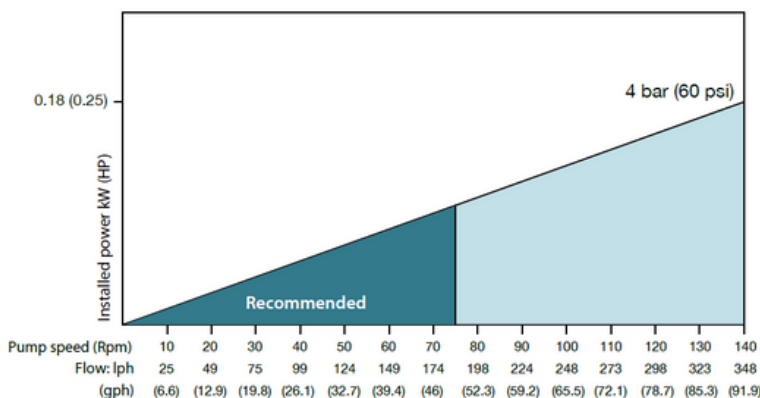
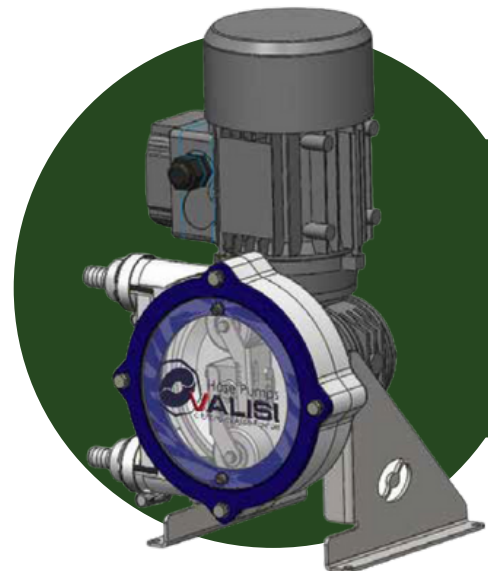
N2

- ∞ Max. Flow rate 140 lph (37 gph)
- ∞ Flow per Revolution 17ml
- ∞ Max. Discharge Pressure 4 bar
- ∞ Internal hose diameter 9mm
- ∞ Max. liquid temperature 90°C



N3

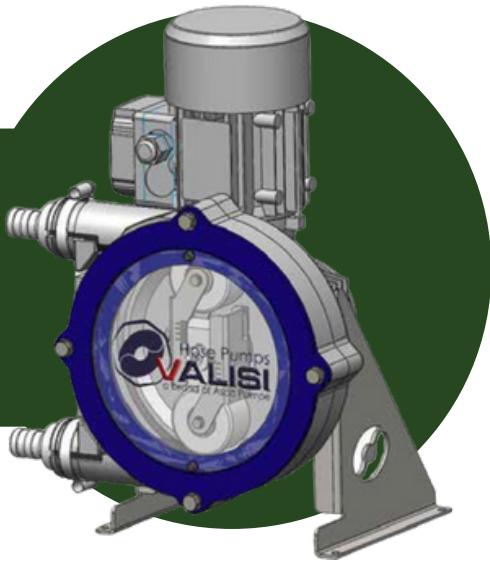
- ∞ Max. Flow rate 348 lph (92 gph)
- ∞ Flow per Revolution 41 ml
- ∞ Max. Discharge Pressure 4 bar
- ∞ Internal hose diameter 13mm
- ∞ Max. liquid temperature 90°C



N SERIES PUMP RANGE

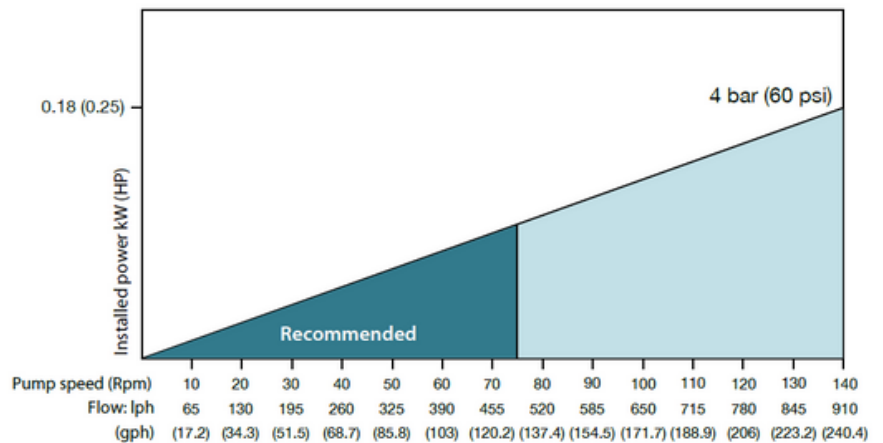


PERISTALTIC, **VOLUMETRIC**, HOSE PUMPS



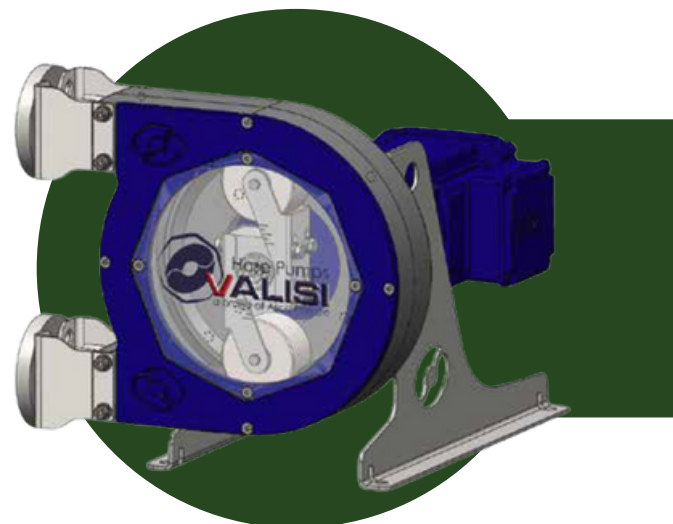
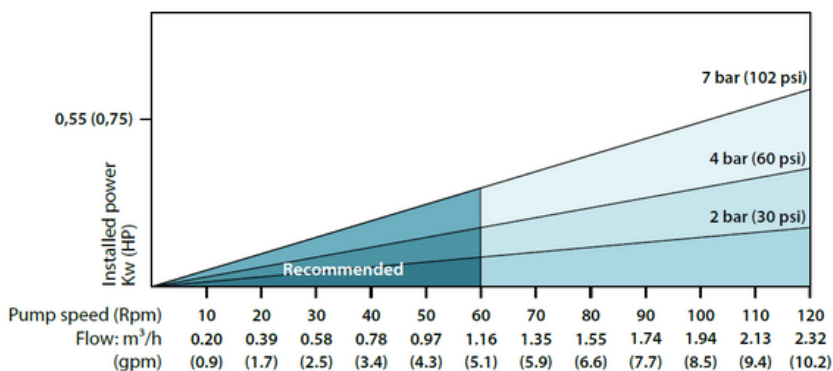
N4

- ∞ Max. Flow rate 910 lph (240 gph)
- ∞ Flow per Revolution 108ml
- ∞ Max. Discharge Pressure 4 bar
- ∞ Internal hose diameter 17mm
- ∞ Max. liquid temperature 90°C



N5N

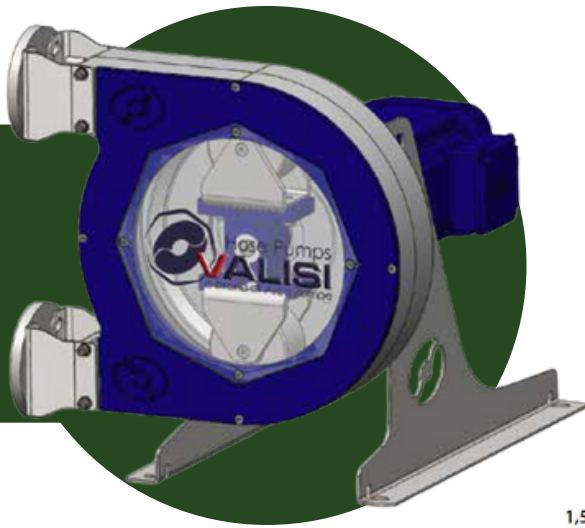
- ∞ Max. Flow rate 232m³/hr
- ∞ Flow per Revolution 322ml
- ∞ Max. Discharge Pressure 7 bar
- ∞ Internal hose diameter 25mm
- ∞ Max. liquid temperature 90°C



N SERIES PUMP RANGE

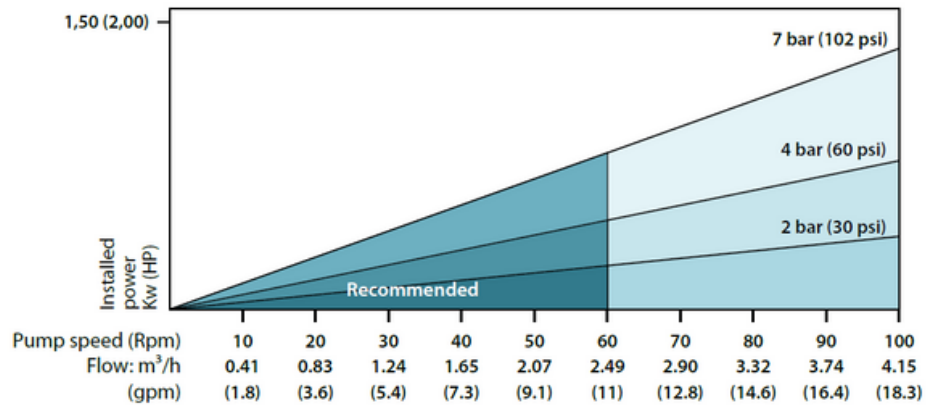


PERISTALTIC, VOLUMETRIC, HOSE PUMPS



N6N

- ∞ Max. Flow rate 415m³/hr
- ∞ Flow per Revolution 692ml
- ∞ Max. Discharge Pressure 7 bar
- ∞ Internal hose diameter 30mm
- ∞ Max. liquid temperature 90°C



N7N

- ∞ Max. Flow rate 104m³/hr
- ∞ Flow per Revolution 192L
- ∞ Max. Discharge Pressure 7 bar
- ∞ Internal hose diameter 45mm
- ∞ Max. liquid temperature 90°C

